

LOCINOX

LOCINOX USA



www.locinox.com

HQ: +32 56 77 27 66
CEE: +48 71 758 21 00

help@locinox.com

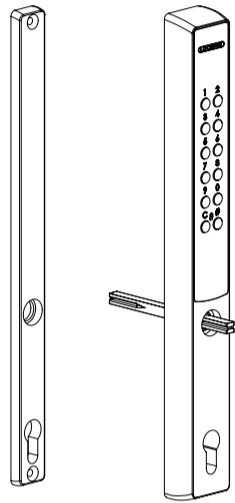


www.locinoxusa.com

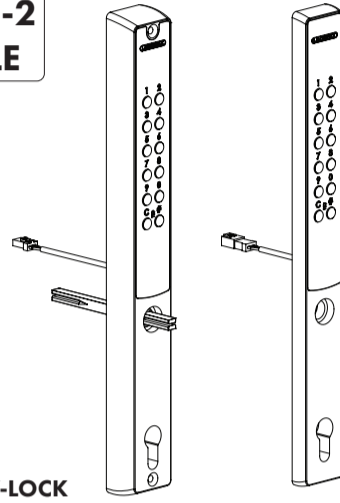
877-LOCINOX

helpusa@locinox.com

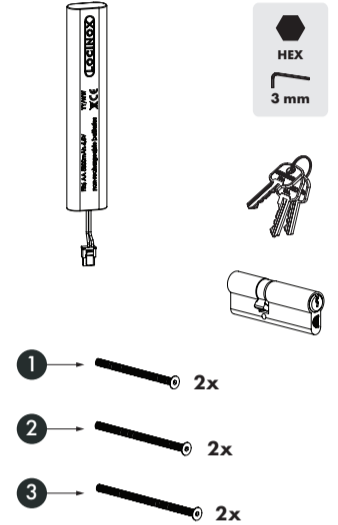
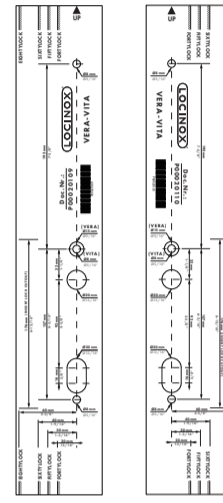
VERA...-1 SINGLE



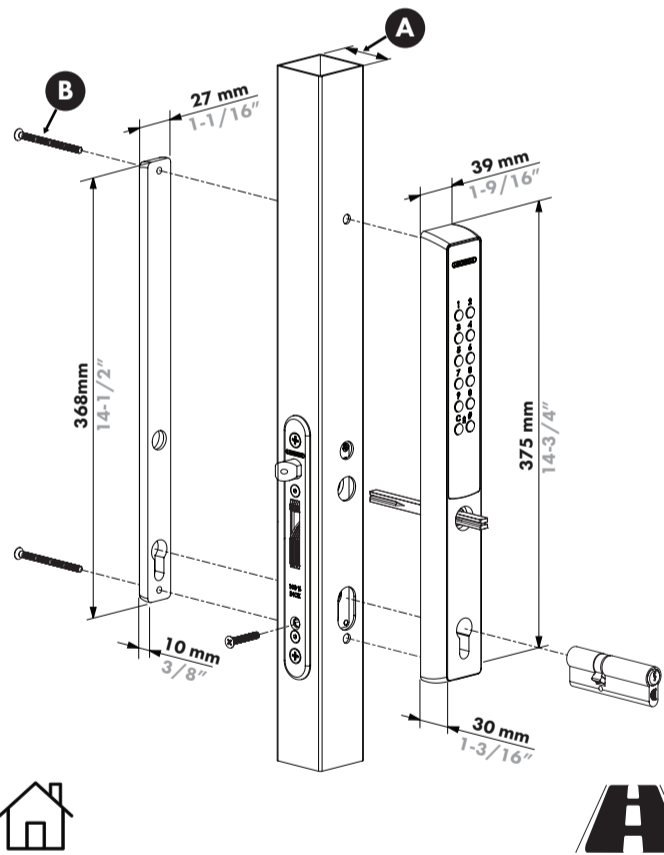
VERA...-2 DOUBLE



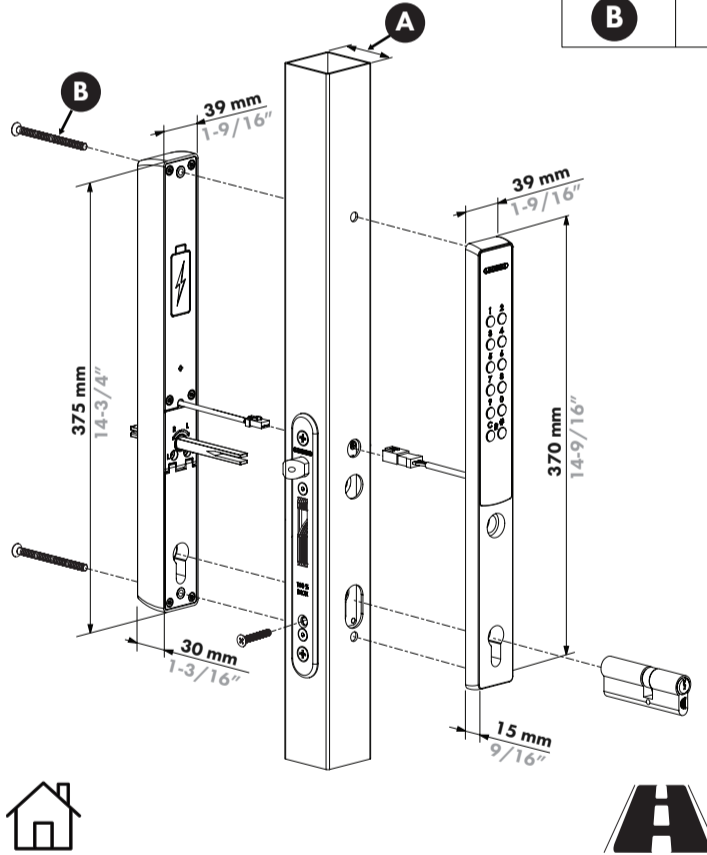
FORTY/FIFTY/SIXTY/EIGHTY-LOCK NOT INCLUDED



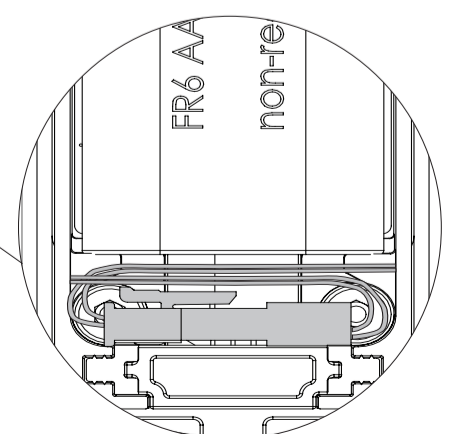
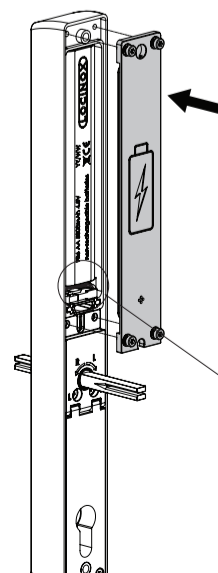
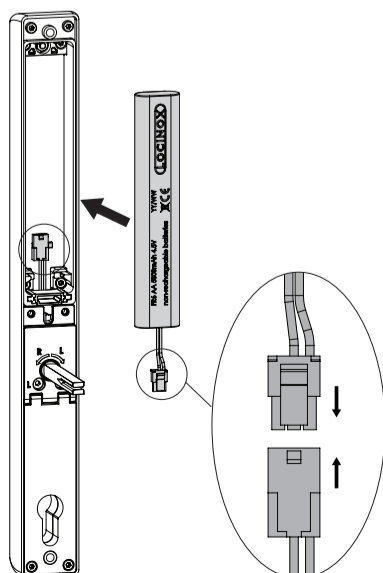
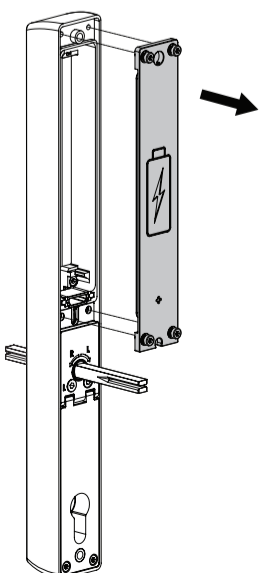
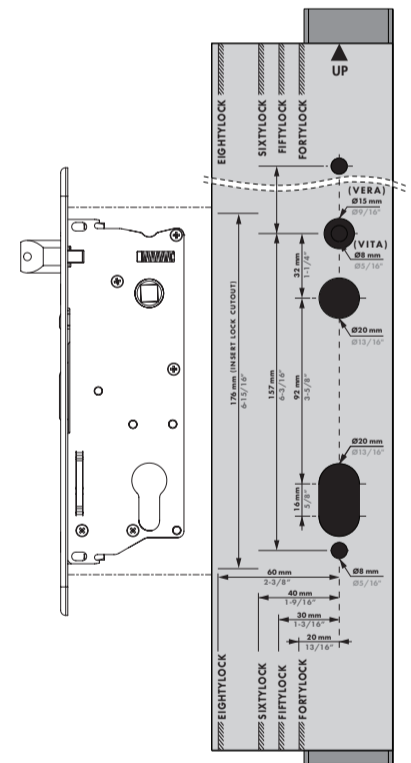
VERA...-1 SINGLE



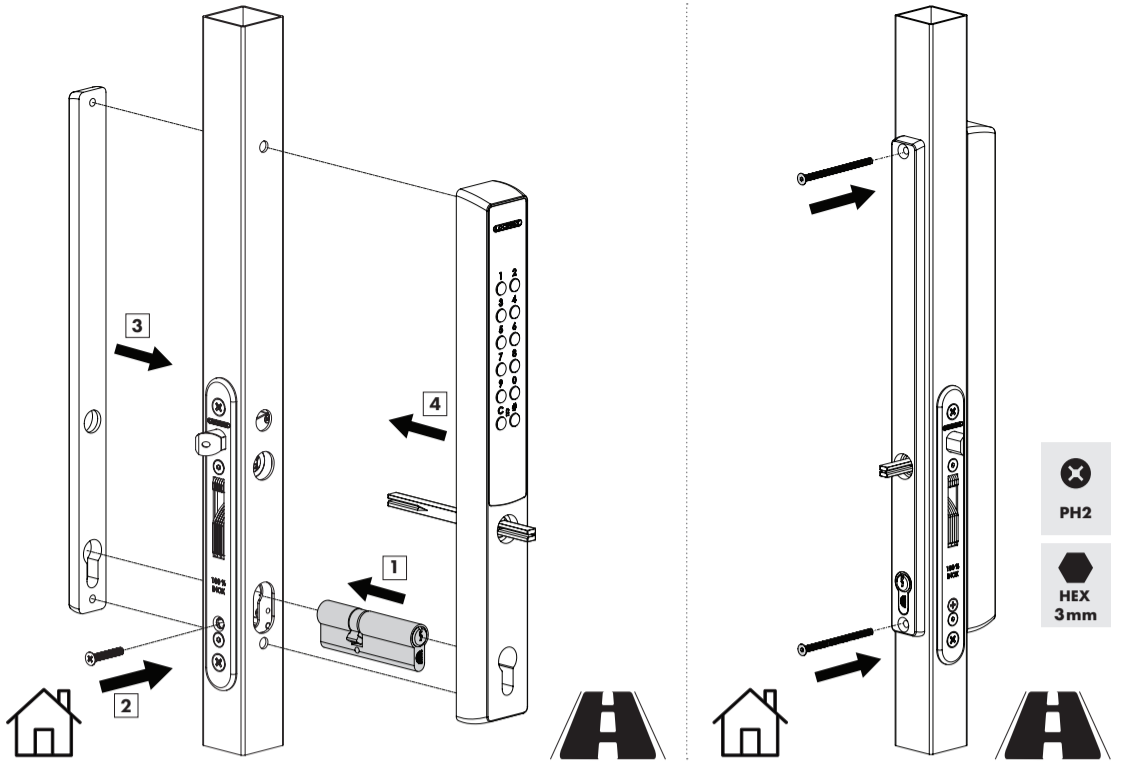
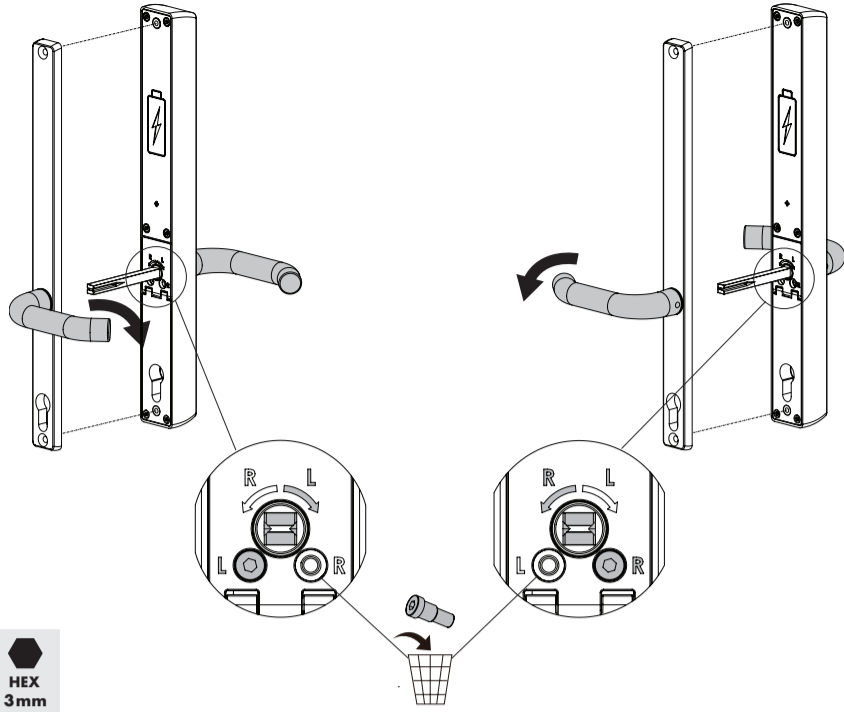
VERA...-2 DOUBLE



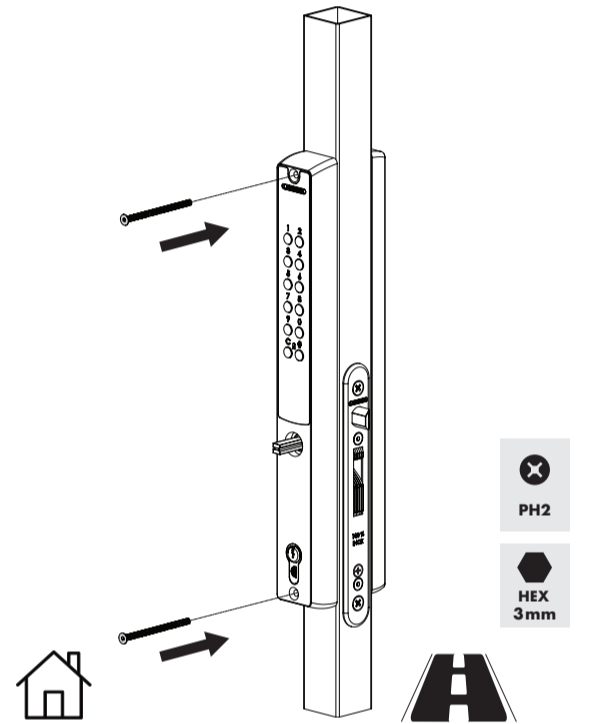
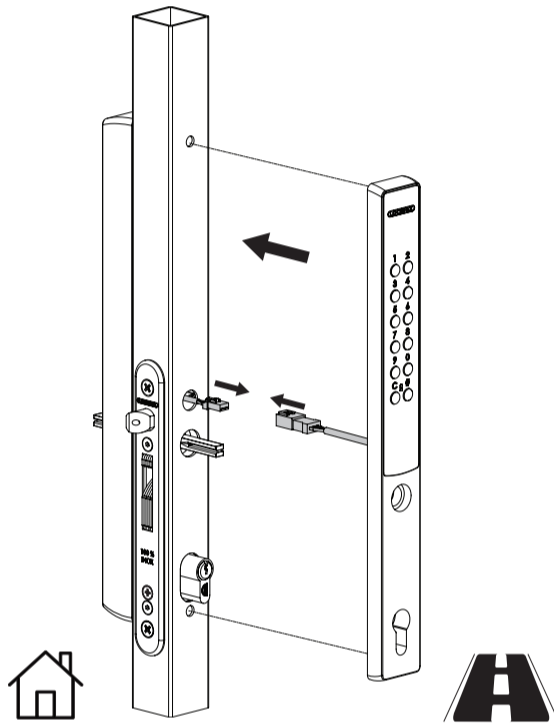
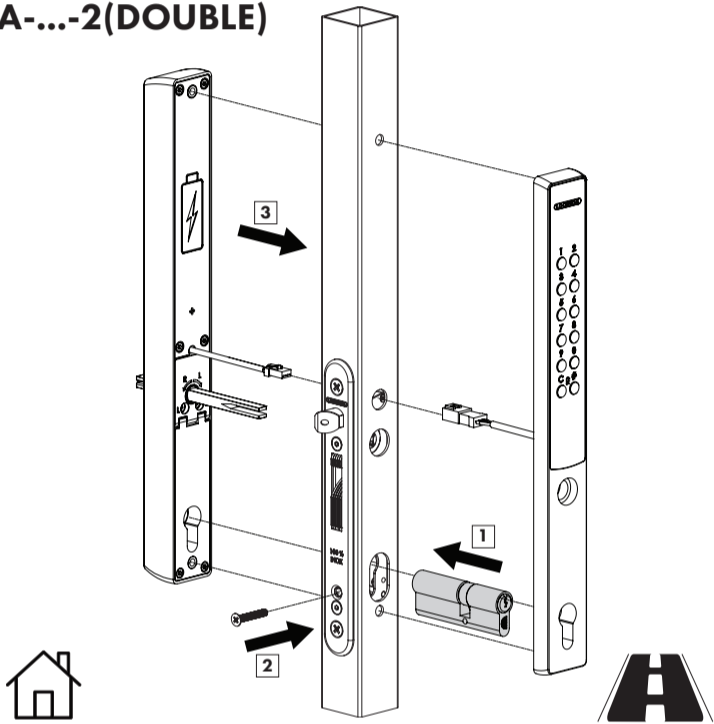
A	40 mm 1-9/16"	50 mm 1-15/16"	60 mm 2-3/8"
B	1	2	3



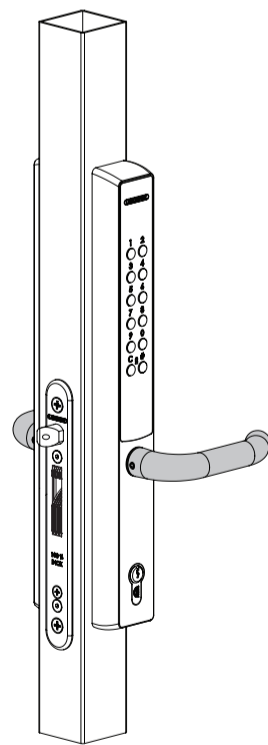
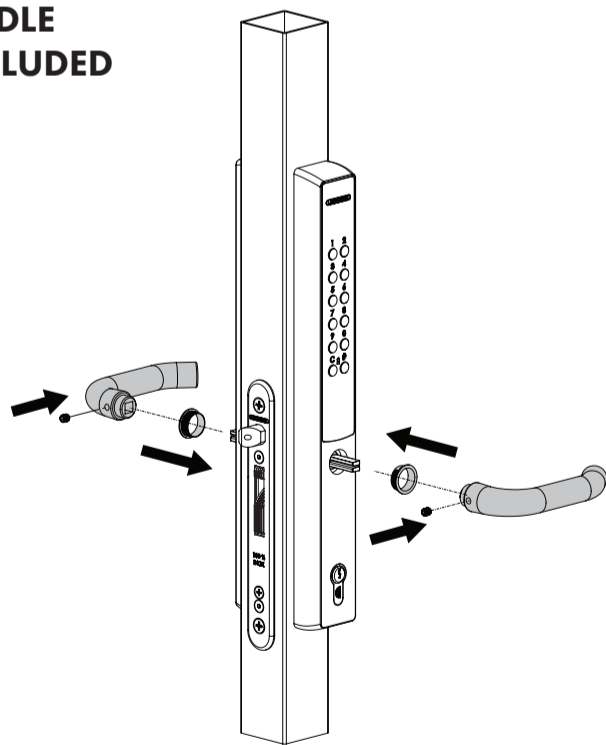
VERA-...-1(SINGLE)



VERA-...-2(DOUBLE)



HANDLE NOT INCLUDED




pictures@locinox.com

**SUCCESSFUL
INSTALLATION?**
Please send us your
pictures & videos

**SUCCESVOLLE
INSTALLATIE?**
Stuur gerust uw foto's
& video's door

**INSTALLATION
RÉUSSIE?**
Veuillez nous envoyer
vos photos & vidéos

**ERFOLGREICHE
INSTALLATION?**
Bitte senden Sie uns
Ihre Bilder & Videos

**INSTALACION
EXITOSA?**
Por favor envíenos
sus fotos y videos

**UDANA
INSTALACJA?**
Prześlij nam swoje
zdjęcia i filmy

**УСПЕШНАЯ
УСТАНОВКА?**
Пожалуйста, отправьте нам
свои фотографии и видео

LOCINOX
Let's make it better together

Doc. Nr.: P00017262

Locinox NV • Brabantstraat 107 • 8790 Waregem • Belgium
Locinox CEE • Irysowa 9 • 55-040 Bielany Wrocławskie • Poland
Locinox LLC • 460 Windy Point Drive • Glendale Heights - IL 60139 • USA



P00017262

LOCINOX[®]

Let's make it better together

VERA

- CONFIGURATION MANUAL
- PROGRAMMATIE HANDLEIDING
- MANUEL DE CONFIGURATION
- KONFIGURATIONSANLEITUNG
- MANUAL DE CONFIGURACIÓN
- INSTRUKCJA KONFIGURACJI
- РУКОВОДСТВО ПО НАСТРОЙКЕ

COPYRIGHT

Copyright© 2024 Locinox. All rights reserved. This product incorporates copyright protected technology that is protected by a number of EU patent method claims and other intellectual property rights owned by the Locinox Corporation and other rightholders.

Use of this copyright protected technology must be authorized by the Locinox Corporation. Reverse engineering or disassembly is prohibited.

No part of this publication can either be reproduced, communicated, transcribed, stored in a retrieval system or be translated into any language in any form or by any means, whether electronic, mechanical, magnetic, optical, chemical, manual or otherwise, unless explicit written consent has been given by the copyright holder.

NOTICE

The contents of this publication are subject to change. The Locinox Corporation reserves the right to alter the contents of this publication at any time and without notice. The contents of this publication may contain inaccuracies or typographical errors and is supplied for informational use only.

TECHNICAL SUPPORT

If you require any additional information or assistance during the installation, please contact your dealer, who will be able to provide the latest information. Alternatively, you can visit the Locinox website for more technical information or e-mail us on info@locinox.com. Please keep the serial number at hand of your product for future support.

Vera

CONFIGURATION MANUAL • PROGRAMMATIE
HANDLEIDING • MANUEL DE CONFIGURATION
• KONFIGURATIONSANLEITUNG • MANUAL DE
CONFIGURACIÓN • INSTRUKCJA KONFIGURACJI
• РУКОВОДСТВО ПО НАСТРОЙКЕ

CONTENTS

EN	1. PRODUCT DESCRIPTION.....	6
	2. PROGRAMMING	6
	3. FACTORY RESET UPON LOSS OF MASTER PIN.....	8
	4. FUNCTIONING OF VALENTINO.....	8
	5. MAINTENANCE	9
	6. GENERAL INFORMATION	9
	7. WARRANTY.....	9
NL	1. PRODUCTBESCHRIJVING.....	10
	2. PROGRAMMERING	10
	3. DE MASTERPINCODE RESETTEN BIJ VERLIES VAN DE MASTERPINCODE.....	12
	4. WERKING VAN DE VALENTINO	12
	5. ONDERHOUD.....	13
	6. ALGEMENE INFORMATIE	13
	7. GARANTIE.....	13
FR	1. DESCRIPTION DU PRODUIT.....	14
	2. PROGRAMMATION	14
	3. RÉINITIALISATION EN CAS DE PERTE DU CODE PIN PRINCIPAL	16
	4. FONCTIONNEMENT DE VALENTINO	16
	5. ENTRETIEN.....	17
	6. INFORMATIONS GÉNÉRALES.....	17
	7. GARANTIE.....	17
DE	1. PRODUKTBESCHREIBUNG.....	18
	2. PROGRAMMIERUNG	18
	3. URÜCKSETZEN DES MASTERPIN-CODES BEI VERLUST DER MASTER PIN	20
	4. FUNKTIONSWEISE DES VALENTINO	20
	5. WARTUNG	21
	6. ALLGEMEINE INFORMATIONEN	21
	7. GARANTIE.....	21
ES	1. DESCRIPCIÓN DEL PRODUCTO	22
	2. PROGRAMACIÓN.....	22
	3. RESTABLECER EL PIN MAESTRO SI SE HA PERDIDO	24
	4. FUNCIONAMIENTO DE VALENTINO.....	24
	5. MANTENIMIENTO.....	25
	6. INFORMACIÓN GENERAL	25
	7. GARANTÍA	25
PL	1. OPIS PRODUKTU.....	26
	2. PROGRAMOWANIE	26
	3. RESETOWANIE GŁÓWNEGO KODU PIN.....	28
	4. FUNKCJONOWANIE VALENTINO.....	28
	5. KONSERWACJA	29
	6. INFORMACJE OGÓLNE.....	29
	7. GWARANCJA	29
RU	1. ОПИС ПРОДУКТУ	30
	2. ПРОГРАМОВАНИЕ	30
	3. РЕСЕТОВАНИЕ ГЛАВНОГО КОДУ PIN.....	32
	4. ФУНКЦИОНОВАНИЕ ВАЛЕНТИНО.....	32
	5. КОНСЕРВАЦИЯ	33
	6. ИНФОРМАЦИЯ ОБЩЕГО ХАРАКТЕРА.....	33
	7. ГАРАНТИЯ.....	33

Congratulations with the purchase of your Vera

1. PRODUCT DESCRIPTION

Vera is a high quality battery operated electronic code lock with aluminium housing. Vera's energy efficient design makes it very easy to add access control to any gate with a FORTY-, FIFTY-, SIXTY- or EIGHTYLOCK insert lock, with a minimal need for maintenance.

Vera is equipped with a weather protected illuminated electronic code panel on one or two sides of the gate. Using these code panels, PIN codes can be easily added, modified or removed. Up to 100 codes can be programmed. Different codes can be used for entry and exit, and the system also supports permanently open codes.

2. PROGRAMMING

2.1 ACCESS PROGRAMMING MODE

- Press [#] for 5 sec, [#] will start flashing
- Enter the Master PIN code (default = 12345), and press [#]. If correct, [#] will remain lit as long as the programming mode is activated
- If a wrong Master PIN is entered, the programming mode ends and the time out procedure as described in 4.2 applies
- If the Master PIN code is forgotten, the default Master PIN code (12345) can be temporary enabled for 5 minutes after disconnecting and reconnecting the batteries. Create a new Master PIN code following the steps in 2.2

⚠ For safety reasons we strongly recommend to change the Master PIN upon first use

⚠ If only [#] is lit, you are in the main menu of the programming mode

- Select a menu and confirm with [#]. The following menus are available:

- [9] ▶ setup Master PIN – 2.2
- [1] ▶ manage PIN codes – 2.3
- [2] ▶ manage permanently open codes – 2.4
- [3] ▶ setup switching duration – 2.5
- [4] ▶ setup free exit mode – 2.6
- [5] ▶ setup lighting mode – 2.7
- [0] ▶ factory reset – 2.8

See next paragraphs for detailed information.

✎ The programming mode ends automatically when there is no activity for 60 seconds

- After selecting a menu, it's possible to return to the main menu by pressing the [C] key
- Press [C] for 5 seconds to exit the programming mode

2.2 SETUP MASTER PIN [9]

- Access programming mode (see 2.1)
 - Press [#] for 5 sec, [#] will start flashing
 - Enter the Master PIN code (default = 12345), and press [#]. If correct, [#] will remain lit as long as the programming mode is activated
- Press [9] and confirm with [#]
- [9] and [#] are both lit
- The default Master PIN is 12345. It always has to be a 5-digit code
- Enter a new 5-digit Master PIN and press [#]
- Repeat previous step to confirm the new Master PIN
- If both codes are equal, all LEDs will light briefly and you will return to the main menu of the programming mode

2.3 MANAGE PIN CODES [1]

- Access programming mode (see 2.1)
 - Press [#] for 5 sec, [#] will start flashing
 - Enter the Master PIN code (default = 12345), and press [#]. If correct, [#] will remain lit as long as the programming mode is activated

⚠ A maximum of 100 different PIN codes can be programmed

- Press [1] and confirm with [#]
- [1] and [#] are both lit
- Enter a new PIN code (4-8 digits) and confirm with [#]
- In case of a new code, the code will need to be repeated and confirmed with [#]
- The lights of button [5] and/or [7] are indicating on which side of the lock the code is valid. [7] is used for the side the user is currently using, while [5] is used for the other side. The Vera model with a keypad on one side shows only option [7]

- Pressing [5] and/or [7] will de-select (flashing) or select (permanently on) the corresponding side
- Press [#] to confirm
- You will return to the main menu of the programming mode, [#] will remain lit. Press [C] for 5 seconds to exit the programming mode

⚠ When two different codes or a wrong code length is entered, all keys flash two times, indicating the code setting hasn't been saved. Try again. [1] will remain lit

✎ A code can be removed by de-selecting [5] and/or [7] before confirmation

2.4 MANAGE PERMANENTLY OPEN CODES [2]

PIN codes generated using menu [1] (manage PIN codes) will unlock the lock for a predefined duration, as configured in menu [3] ('setup switching duration'). In contrast, a 'permanently open' code has no predefined duration to remain open, but will remain open, until the same code (or another permanently open code) is entered.

- Access programming mode (see 2.1)
 - Press [#] for 5 sec, [#] will start flashing
 - Enter the Master PIN code (default = 12345), and press [#]. If correct, [#] will remain lit as long as the programming mode is activated
- Press [2] and confirm with [#]
- [2] and [#] are both lit
- Enter a new PIN code and confirm with [#]
- In case of a new code, the code will need to be repeated and confirmed with [#]
- The lights of button [5] and/or [7] are indicating on which side of the lock the code is valid. [7] is used for the side the user is currently using, while [5] is used for the other side. The Vera model with a keypad on one side shows only option [7]
- Pressing [5] and/or [7] will de-select (flashing) or select (permanently on) the corresponding side
- Press [#] to confirm
- You will return to the main menu of the programming mode

⚠ When two different codes or a wrong code length is entered, all keys flash two times, indicating the code setting hasn't been saved. Try again. [2] will remain lit

✎ A code can be removed by de-selecting [5] and/or [7] before confirmation

2.5 SETUP SWITCHING DURATION [3]

- Access programming mode (see 2.1)
 - Press [#] for 5 sec, [#] will start flashing
 - Enter the Master PIN code (default = 12345), and press [#]. If correct, [#] will remain lit as long as the programming mode is activated
- Press [3] and confirm with [#]
- [3] and [#] are both lit
- Enter a value between 1 and 99, and confirm with [#]. When all leds flash, your choice is saved
- You will return to the main menu

⚠ In case an invalid time is entered, all keys flash two times. Menu [3] remains activated

✎ The default time is set at 8 seconds

2.6 SETUP FREE EXIT MODE [4]

The free-exit mode menu allows configuring a side of the lock in 'free exit mode'. On the free-exit side, entering a PIN code is not required: just pressing any key will unlock the lock for a predefined duration.

- Access programming mode (see 2.1)
 - Press [#] for 5 sec, [#] will start flashing
 - Enter the Master PIN code (default = 12345), and press [#]. If correct, [#] will remain lit as long as the programming mode is activated
- Press [4] and confirm with [#]
- [4] and [#] are both lit
- The lights of button [5] and/or [7] are indicating which side of the lock is configured in free exit-mode. [7] is used for the side the user is currently using, while [5] is used for the other side. The Vera model with a keypad on one side shows only option [7]
- Pressing [5] and/or [7] will de-select (flashing) or select (permanently on) the corresponding side to be configured in free-exit mode
- The selection is confirmed by pressing the [#] key
- You will return to the main menu of the programming mode

✎ The free-exit mode can be disabled by de-selecting [5] and [7] before confirmation

2.7 SET LIGHTING MODE [5]

- Access programming mode (see 2.1)
 - Press [#] for 5 sec, [#] will start flashing
 - Enter the Master PIN code (default = 12345), and press [#]. If correct, [#] will remain lit as long as the programming mode is activated
- Press [5] and confirm with [#]
- [5] and [#] are both lit
- Choose the desired lighting mode:
 - [1] Auto dim (default):
During normal operation backlights are off. As soon as a button is pressed, they go to full brightness. After 5 seconds of inactivity the lighting is switched off
 - [2] Backlight disabled:
The backlights will not light up upon pressing a button
- Press [1] or [2] and confirm with [#]. When all leds flash, your choice is saved
- You will return to the main menu

⚠ In case an invalid number is entered, all keys flash two times. Try again. Menu [5] remains activated

2.8 FACTORY RESET [0]

- Access programming mode (see 2.1)
 - Press [#] for 5 sec, [#] will start flashing
 - Enter the Master PIN code (default = 12345), and press [#]. If correct, [#] will remain lit as long as the programming mode is activated
- Press [0] and confirm with [#]
- [0] will flash rapidly to indicate an irreversible action can be taken
- Enter the Master PIN and confirm by holding [#] for 2 seconds
- When all LEDs flash, the factory reset is complete. All settings are restored to default values

3. RESETTING THE MASTER PIN UPON LOSS OF THE MASTER PIN

During the first 5 minutes after (re)placing the batteries, the default Master PIN (12345) can be used, along with the Master PIN that the user has chosen. Create a new Master PIN code following the steps in 2.2.

A factory reset, as described in step 2.8, will permanently return the Master PIN to the default value 12345.

4. FUNCTIONING OF VERA

4.1 ENTER A CORRECT PIN CODE

- Enter a PIN code (min. 4 - max. 8 digits)
- Press [#] to confirm
- A light sequence run from the bottom to the top across the keypad, indicating that a correct code has been entered

4.2 ENTER A WRONG CODE

- Enter a wrong PIN
- Press [#] to confirm
- All keys flash two times, indicating a wrong code has been entered
- If 5 or more wrong codes are entered consecutively, you won't be able to use the Vera for a certain period due to safety reasons. The time out period is specified as follows:
2(number of failed attempts) seconds

For example: 6 failed attempts result in a time out period of 64 seconds (2⁶ seconds)

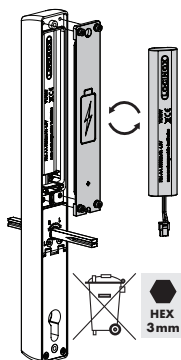
✎ The time out period is reset when a correct code is entered, or if no new code was entered during 2 hours

4.3 LOW BATTERY WARNING

When the batteries start running out, the low battery indicator on the keypad will start flashing when entering a code, indicating that the time has come to replace the batteries.

4.4 REPLACE BATTERIES

- Remove the Vera from the gate
- Open the battery lid
- Replace the battery pack
- Close the battery lid
- Mount the Vera module back on the gate



⚠ Order battery pack here:



5. MAINTENANCE

- Clean the housing and display using a soft cloth, moistened with a neutral cleaning agent
- Never use fuel or chemicals on the device since they might harm the housing

6. GENERAL INFORMATION

- Please observe the local regulations on the deposit of packaging material and of appliances no longer in use. Our packaging material is eco-friendly. It can be divided into 2 materials: cardboard (box) and expandable polyester (buffer)
- Your device is made of recyclable materials

7. WARRANTY

A 2 year warranty covers all electronics.

Locinox HQ
Mannebeekstraat 21
8790 Waregem - Belgium

Locinox USA LLC
460-464 Windy Point Drive
Glendale Heights, IL 60319 - USA

Brand	Locinox	
Product	Vera	
Model	VERA-40-VSZ-2-9005	
Rating	U = 4.5 VDC	I = 5mA



Federal Trade Commission rules restrict sending unwanted commercial email messages to computers.



A discarded device can either be returned to your dealer or be sent back to Locinox. This product's recycling fee is € 0,2.



The WEEE marking on the product indicates that it may not be thrown away together with normal household waste and must be handed over to a designated collection point for the recycling of electrical and electronic rejects.



As manufacturer of this product, we guarantee that we have taken all the necessary steps in order to comply with the current safety requirements for this product.

Gefeliciteerd met de aankoop van uw Vera

NL

1. PRODUCTBESCHRIJVING

Vera is een hoogwaardig elektronisch codeslot op batterijen met aluminium behuizing. Het energiezuinige ontwerp van Vera maakt het zeer eenvoudig om toegangscontrole toe te voegen aan alle poorten met een FORTY-, FIFTY-, SIXTY- of EIGHTYLOCK insteekslock, en met minimaal benodigd onderhoud.

Vera is voorzien van een weerbestendig verlicht elektronisch codepaneel aan één of twee zijden van de poort. Met behulp van deze codepanelen kunnen pincodes eenvoudig worden toegevoegd, gewijzigd of verwijderd. Er kunnen maximaal 100 codes worden geprogrammeerd. Voor het naar binnen- en buitengaan kunnen verschillende codes worden gebruikt en het systeem ondersteunt ook permanente open codes.

2. PROGRAMMEREN

2.1 TOEGANG TOT PROGRAMMEERMODUS

- Houd [#] 5 seconden ingedrukt, [#] begint te knippen
- Voer de Master PIN code in (standaard = 12345) en druk op [#]. Indien correct, blijft [#] branden zolang de programmeermodus geactiveerd is
- Als er een verkeerde Master PIN wordt ingevoerd, eindigt de programmeermodus en geldt de time-outprocedure zoals beschreven in 4.2
- Als u de Master PIN code bent vergeten, kan de standaard Master PIN code (12345) tijdelijk worden ingeschakeld gedurende 5 minuten na het loskoppelen en opnieuw aansluiten van de batterijen. Maak een nieuwe Master PIN code aan volgens de stappen in 2.2

⚠ Om veiligheidsredenen raden wij u ten zeerste aan om bij het eerste gebruik de Master PIN te wijzigen

⚠ Als alleen [#] brandt, bevindt u zich in het hoofdmenu van de programmeermodus

- Selecteer een menu en bevestig met [#]. De volgende menu's zijn beschikbaar

- [9] ▶ Master PIN instellen – 2.2
- [1] ▶ PIN codes beheren – 2.3
- [2] ▶ permanente open codes beheren – 2.4

- [3] ▶ schakelduur instellen – 2.5
- [4] ▶ vrije uitgangsmodus instellen – 2.6
- [5] ▶ verlichtingsmodus instellen – 2.7
- [0] ▶ fabrieksreset – 2.8

Zie de volgende paragrafen voor gedetailleerde informatie.

✎ De programmeermodus eindigt automatisch wanneer er gedurende 60 seconden geen activiteit is

- Nadat u een menu heeft geselecteerd, kunt u terugkeren naar het hoofdmenu door op [C] te drukken
- Druk gedurende 5 seconden op [C] om de programmeermodus te verlaten

2.2 MASTER PIN INSTELLEN [9]

- Toegang tot de programmeermodus (zie 2.1)
 - Houd [#] 5 seconden ingedrukt, [#] begint te knippen
 - Voer de Master PIN code in (standaard = 12345) en druk op [#]. Indien correct, blijft [#] branden zolang de programmeermodus geactiveerd is
- Druk op [9] en bevestig met [#]
- [9] en [#] branden beide
- De standaard Master PIN is 12345. Het moet altijd een code van 5 cijfers zijn
- Voer een nieuwe 5-cijferige Master PIN in en druk op [#]. Herhaal de vorige stap om de nieuwe masterpincode te bevestigen
- Herhaal de vorige stap om de nieuwe Master PIN te bevestigen
- Als beide codes gelijk zijn, branden alle LED's kort en keert u terug naar het hoofdmenu van de programmeermodus

2.3 PINCODES BEHEREN [1]

- Toegang tot de programmeermodus (zie 2.1)
 - Houd [#] 5 seconden ingedrukt, [#] begint te knippen
 - Voer de Master PIN code in (standaard = 12345) en druk op [#]. Indien correct, blijft [#] branden zolang de programmeermodus geactiveerd is

⚠ Er kunnen maximaal 100 verschillende pincodes worden geprogrammeerd

- Druk op [1] en bevestig met
- [1] en [#] branden beide
- Voer een nieuwe pincode in (4-8 cijfers) en bevestig met [#]
- In het geval van een nieuwe code moet deze worden herhaald en bevestigd met [#]
- De lampjes van knop [5] en/of [7] geven aan aan welke kant van het slot de code geldig is. [7] wordt gebruikt voor de kant die de gebruiker momenteel gebruikt, terwijl [5] wordt gebruikt voor de andere kant. Het Vera-model met een toetsenbord aan één kant toont alleen optie [7]
- Als u op [5] en/of [7] drukt, wordt de overeenkomstige kant gedeselecteerd (knipperend) of geselecteerd (permanent aan)
- Druk op [#] om te bevestigen
- U keert terug naar het hoofdmenu van de programmeermodus, [#] blijft branden. Druk gedurende 5 seconden op [C] om de programmeermodus te verlaten

⚠ Wanneer twee verschillende codes of een verkeerde codelengte worden ingevoerd, knipperen alle toetsen twee keer, wat aangeeft dat de code-instelling niet is opgeslagen. Probeer het nog eens. [1] blijft branden

✎ Een code kan worden verwijderd door vóór bevestiging [5] en/of [7] te deselecteren.

2.4 PERMANENTE OPEN CODES BEHEREN [2]

PIN codes gegenereerd via menu [1] (PIN codes beheren) ontgrendelen het slot voor een vooraf gedefinieerde duur, zoals geconfigureerd in menu [3] ('schakelduur instellen'). Een 'permanente open' code heeft daarentegen geen vooraf gedefinieerde duur om open te blijven, maar blijft open totdat dezelfde code (of een andere permanente open code) wordt ingevoerd.

- Toegang tot de programmeermodus (zie 2.1)
 - Houd [#] 5 seconden ingedrukt, [#] begint te knipperen
 - Voer de Master PIN code (standaard = 12345) in en druk op [#]. Indien correct, blijft [#] branden zolang de programmeermodus geactiveerd is
- Druk op [2] en bevestig met [#]
- [2] en [#] branden beide
- Voer een nieuwe PIN code in en bevestig met [#]

- In het geval van een nieuwe code moet deze worden herhaald en bevestigd met [#]
- De lampjes van knop [5] en/of [7] geven aan aan welke kant van het slot de code geldig is. [7] wordt gebruikt voor de kant die de gebruiker momenteel gebruikt, terwijl [5] wordt gebruikt voor de andere kant. Het Vera-model met een toetsenbord aan één kant toont alleen optie [7]
- Als u op [5] en/of [7] drukt, wordt de overeenkomstige kant gedeselecteerd (knipperend) of geselecteerd (permanent aan)
- Druk op [#] om te bevestigen
- U keert terug naar het hoofdmenu van de programmeermodus

⚠ Wanneer twee verschillende codes of een verkeerde codelengte worden ingevoerd, knipperen alle toetsen twee keer, wat aangeeft dat de code-instelling niet is opgeslagen. Probeer het nog eens. [2] blijft branden

✎ Een code kan worden verwijderd door vóór bevestiging [5] en/of [7] te deselecteren

2.5 SCHAKELDUUR INSTELLEN [3]

- Toegang tot de programmeermodus (zie 2.1)
 - Houd [#] 5 seconden ingedrukt, [#] begint te knipperen
 - Voer de Master PIN code in (standaard = 12345) en druk op [#]. Indien correct, blijft [#] branden zolang de programmeermodus geactiveerd is
- Druk op [3] en bevestig met [#]
- [3] en [#] branden beide
- Voer een waarde tussen 1 en 99 in en bevestig met [#]. Wanneer alle leds knipperen, is uw keuze opgeslagen
- U keert terug naar het hoofdmenu


⚠ Als er een ongeldige tijd wordt ingevoerd, knipperen alle toetsen twee keer. Menu [3] blijft geactiveerd

✎ De standaardtijd is ingesteld op 8 seconden

2.6 VRIJE UITGANGSMODUS INSTELLEN [4]


Met het menu voor de vrije uitgangsmodus kunt u een zijde van het slot in de 'vrije uitgangsmodus' configureren. Aan de vrije uitgangszijde is het invoeren van een pincode niet vereist: door gewoon op een willekeurige toets te drukken wordt het slot voor een vooraf gedefinieerde duur ontgrendeld.

- Toegang tot de programmeermodus (zie 2.1)
 - Houd [#] 5 seconden ingedrukt, [#] begint te knippen
 - Voer de Master PIN code in (standaard = 12345) en druk op [#]. Indien correct, blijft [#] branden zolang de programmeermodus geactiveerd is
- Druk op [4] en bevestig met [#]
- [4] en [#] branden beide
- De lampjes van knop [5] en/of [7] geven aan welke kant van het slot in vrije uitgangmodus is geconfigureerd. [7] wordt gebruikt voor de kant die de gebruiker momenteel gebruikt, terwijl [5] wordt gebruikt voor de andere kant. Het Vera-model met een toetsenbord aan één kant toont alleen optie [7]
- Als u op [5] en/of [7] drukt, wordt de overeenkomstige kant gedeselecteerd (knipperend) of geselecteerd (permanent aan) te configureren in de vrije uitgangmodus
- De selectie wordt bevestigd door op de [#]-toets te drukken
- U keert terug naar het hoofdmenu van de programmeermodus

 De vrije uitgangmodus kan worden uitgeschakeld door vóór bevestiging [5] en [7] te deselecteren

2.7 VERLICHTINGSMODUS INSTELLEN [5]

- Toegang tot de programmeermodus (zie 2.1)
 - Houd [#] 5 seconden ingedrukt, [#] begint te knippen
 - Voer de Master PIN code in (standaard = 12345) en druk op [#]. Indien correct, blijft [#] branden zolang de programmeermodus geactiveerd is
- Druk op [5] en bevestig met [#]
- [5] en [#] branden beide
- Kies de gewenste verlichtingsmodus:
 - [1] Automatisch dimmen (standaard):
Tijdens de normale werking is de achtergrondverlichting uit. Zodra er een knop wordt ingedrukt, gaan ze naar volledige helderheid. Na 5 seconden inactiviteit wordt de verlichting uitgeschakeld
 - [2] Achtergrondverlichting uitgeschakeld:
De achtergrondverlichting gaat niet aan als u op een knop drukt
- Druk op [1] of [2] en bevestig met [#]. Wanneer alle leds knipperen, is uw keuze opgeslagen
- U keert terug naar het hoofdmenu

 Als er een ongeldig nummer wordt ingevoerd, knipperen alle toetsen twee keer. Probeer het nog eens. Menu [5] blijft geactiveerd

2.8 FABRIEKSRASET [0]

- Toegang tot de programmeermodus (zie 2.1)
 - Houd [#] 5 seconden ingedrukt, [#] begint te knippen
 - Voer de Master PIN code in (standaard = 12345) en druk op [#]. Indien correct, blijft [#] branden zolang de programmeermodus geactiveerd is
- Druk op [0] en bevestig met [#]
- [0] knippert snel om aan te geven dat er een onomkeerbare actie kan worden ondernomen
- Voer de Master PIN in en bevestig door [#] 2 seconden ingedrukt te houden.
- Wanneer alle LED's knipperen, is de fabrieksreset voltooid. Alle instellingen worden hersteld naar de standaardwaarden

3. RESETTEN VAN DE MASTER PIN BIJ VERLIES VAN DE MASTER PIN

Gedurende de eerste 5 minuten na het (ver)plaatsen van de batterijen kan de standaard Master PIN (12345) worden gebruikt, samen met de Master PIN die de gebruiker heeft gekozen. Maak een nieuwe Master PIN code aan volgens de stappen in 2.2. Een fabrieksreset, zoals beschreven in stap 2.8, zal de Master PIN permanent terugzetten naar de standaardwaarde 12345.

4. WERKING VAN VERA

4.1 JUISTE PINCODE INVOEREN


- Voer een PIN code in (min. 4, max. 8 cijfers)
- Druk op [#] om te bevestigen
- Een reeks lampjes loopt van onder naar boven over het toetsenbord en geeft aan dat de juiste code is ingevoerd

4.2 VERKEERDE CODE INVOEREN

- Verkeerde pincode invoeren
- Druk op [#] om te bevestigen
- Alle toetsen knipperen twee keer, wat aangeeft dat er een verkeerde code is ingevoerd
- Als er 5 of meer foute codes achter elkaar worden ingevoerd, kunt u de Vera vanwege veiligheidsredenen een bepaalde periode niet gebruiken. De time-outperiode wordt als volgt gespecificeerd:

2(aantal mislukte pogingen) seconden

 Bijvoorbeeld: 6 mislukte pogingen leiden tot een pauzertijd van 64 seconden (2⁶ seconden)

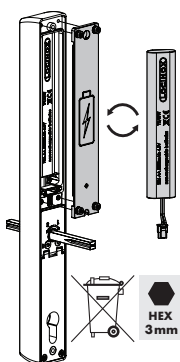
 De pauzertijd wordt gereset wanneer een juiste code wordt ingegeven of als twee uur lang geen nieuwe code werd ingevoerd

4.3 WAARSCHUWING BIJNA LEGE BATTERIJ

Wanneer de batterijen leeg raken, begint de bijna leeg-indicator op het toetsenbord te knipperen wanneer u een code invoert, wat aangeeft dat het tijd is om de batterijen te vervangen.

NL 4.4 BATTERIJEN VERVANGEN

- Neem de Vera van het hek
- Open het batterijdeksel
- Vervang de batterij
- Sluit het batterijdeksel
- Monteer de Vera module terug op de poort



⚠ Bestel de batterij hier:



Locinox HQ
Mannebeekstraat 21
8790 Waregem - België

Locinox USA LLC
460-464 Windy Point Drive
Glendale Heights, IL 60319 - USA

Merk	Locinox	
Product	Vera	
Model	VERA-40-VSZ-2-9005	
Beoordeling	U = 4.5 VDC	I = 5mA



De regels van de Federal Trade Commission beperken het verzenden van ongewenste commerciële e-mailberichten naar computers



Een afgedankt product kan naar de verdeler of naar Locinox worden geretourneerd. De recyclingbijdrage van dit product bedraagt € 0,2.



De WEEE-markering op het product geeft aan dat het niet met het gewone huishoudelijk afval mag worden weggegooid en dat het product naar een specifiek inzamelpunt moet worden gebracht voor recycling van elektrische en elektronische afgedankte producten.



Als fabrikant van dit product garanderen we u dat we alle nodige stappen ondernomen hebben om te voldoen aan de huidige veiligheidsvereisten voor dit product.

5. ONDERHOUD

- Maak de behuizing en het display schoon met een zachte doek, bevochtigd met een neutraal schoonmaakmiddel
- Gebruik nooit brandstof of chemicaliën op het apparaat, aangezien deze de behuizing kunnen beschadigen

6. ALGEMENE INFORMATIE

- Houd u aan de plaatselijke regelgeving inzake het deponeren van verpakkingsmateriaal en van niet meer gebruikte apparaten. Ons verpakkingsmateriaal is milieuvriendelijk. Het kan worden onderverdeeld in 2 materialen: karton (doos) en uitbreidbaar polyester (buffer)
- Uw apparaat is gemaakt van recyclebare materialen

7. GARANTIE

Een garantie van 2 jaar voor alle elektronica.

Vous venez d'acquérir le modèle Vera et nous vous en félicitons !

1. DESCRIPTION DU PRODUIT

La serrure Vera est une serrure à code électronique de haute qualité, fonctionnant sur batterie et dotée d'un boîtier en aluminium. Grâce à sa conception, la serrure Vera permet d'ajouter très facilement un contrôle d'accès sur n'importe quel portail équipé d'une serrure à encastrer FORTYLOCK, FIFTYLOCK, SIXTYLOCK ou EIGHTYLOCK, et ce avec un minimum d'entretien.

La serrure Vera est équipée d'un pavé numérique éclairé, protégé des intempéries, sur l'un ou sur les deux côtés du portail. Grâce aux claviers numériques, les codes des utilisateurs peuvent être facilement ajoutés, modifiés ou supprimés. Il est possible de programmer jusqu'à 100 codes. Il est également possible de définir des codes d'entrée et de sortie différents, et le système peut être programmé avec des codes d'ouverture permanente.

2. PROGRAMMATION

2.1 ACCÈS AU MODE PROGRAMMATION

- Appuyez sur [#] pendant 5 secondes, [#] commencera à clignoter
- Saisissez le code PIN administrateur (par défaut = 12345) et appuyez sur [#]. Si celui-ci est correct, [#] restera allumé tant que le mode de programmation sera activé
- Si un code PIN administrateur erroné est saisi, le mode de programmation prend fin et la procédure de délai d'attente décrite au point 4.2 s'applique
- Si le code PIN administrateur est oublié, le code PIN administrateur par défaut (12345) peut être temporairement activé pendant 5 minutes après avoir débranché et rebranché la batterie. Saisissez un nouveau code PIN administrateur en suivant les étapes de 2.2

⚠ Pour des raisons de sécurité, nous vous recommandons fortement de modifier le PIN administrateur lors de la première utilisation

⚠ Si seul [#] est allumé, vous êtes dans le menu principal du mode de programmation

- Sélectionnez un menu et confirmez avec [#]. Les menus suivants sont disponibles :

[9] ▶ Configurer le code PIN administrateur – 2.2

[1] ▶ Gérer les codes PIN – 2.3

[2] ▶ Gérer les codes d'ouverture permanente – 2.4

[3] ▶ Configurer la durée de passage – 2.5

[4] ▶ Configurer le mode sortie libre – 2.6

[5] ▶ Configurer le mode éclairage – 2.7

[0] ▶ Réinitialiser aux paramètres d'usine – 2.8

Voir les paragraphes suivants pour des informations détaillées.

✎ Le mode de programmation s'arrête automatiquement après 60 secondes d'inactivité

- Après avoir sélectionné un menu, il est possible de revenir au menu principal en appuyant sur la touche [C]
- Appuyez sur [C] pendant 5 secondes pour quitter le mode de programmation

2.2 GESTION DU PIN ADMINISTRATEUR [9]

- Accédez au mode de programmation (voir 2.1)
 - Appuyez sur [#] pendant 5 secondes, [#] commencera à clignoter
 - Saisissez le code PIN administrateur (par défaut = 12345) et appuyez sur [#]. Si celui-ci est correct, [#] restera allumé tant que le mode de programmation sera activé
- Appuyez sur [9] et confirmez avec [#]
- [9] et [#] sont tous les deux allumés
- Le code PIN administrateur par défaut est 12345. Il doit toujours s'agir d'un code à 5 chiffres
- Saisissez un nouveau code PIN administrateur à 5 chiffres et appuyez sur [#]
- Répétez l'étape précédente pour confirmer le nouveau code PIN administrateur
- Si les deux codes sont identiques, toutes les LEDs s'allument brièvement et vous revenez au menu principal du mode de programmation

2.3 CREATION DES CODES PIN [1]

- Accédez au mode de programmation (voir 2.1)
 - Appuyez sur [#] pendant 5 secondes, [#] commencera à clignoter
 - Saisissez le code PIN administrateur (par défaut = 12345) et appuyez sur [#]. Si celui-ci est correct, [#] restera allumé tant que le mode de programmation sera activé

⚠ Il est possible de programmer jusqu'à 100 codes PIN différents

- Appuyez sur [1] et confirmez avec [#]
- [1] et [#] sont tous les deux allumés
- Saisissez un nouveau code PIN (4 à 8 chiffres) et confirmez avec [#]
- En cas de nouveau code, le code devra être répété et confirmé avec [#]
- Les voyants du bouton [5] et/ou [7] indiquent de quel côté de la serrure le code est valide. Le bouton [7] indique le côté actuellement occupé par l'utilisateur, tandis que le bouton [5] indique l'autre côté de la serrure. Le modèle Vera à pavé numérique sur un seul côté affiche uniquement l'option [7]
- Une pression sur [5] et/ou [7] désélectionne (clignotement) ou sélectionne (lumière fixe) le côté correspondant
- Appuyez sur [#] pour confirmer
- Vous revenez au menu principal du mode de programmation, [#] reste allumé. Appuyez sur [C] pendant 5 secondes pour quitter le mode de programmation

⚠ Lorsque deux codes différents sont saisis ou que la longueur du code est incorrecte, toutes les touches clignotent deux fois, ce qui indique que le réglage du code n'a pas été enregistré. Essayer à nouveau. [1] restera allumé

✎ Un code peut être supprimé en désélectionnant [5] et/ou [7] avant confirmation

2.4 CREATION D'UNE OUVERTURE PERMANENTE [2]

Les codes PIN générés à l'aide du menu [1] (gérer les codes PIN) déverrouillent la serrure pendant une durée prédéfinie, telle que configurée dans le menu [3] (« configurer la durée de passage »). En revanche, un code « d'ouverture permanente » n'a pas de durée prédéfinie de maintien ouvert, mais le portail restera ouvert jusqu'à ce que le même code (ou un autre code d'ouverture permanente) soit saisi.

- Accédez au mode de programmation (voir 2.1)
 - Appuyez sur [#] pendant 5 secondes, [#] commencera à clignoter
 - Saisissez le code PIN administrateur (par défaut = 12345) et appuyez sur [#]. Si celui-ci est correct, [#] restera allumé tant que le mode de programmation sera activé
- Appuyez sur [2] et confirmez avec [#]
- [2] et [#] sont tous les deux allumés
- Saisissez un nouveau code PIN et confirmez avec [#]
- En cas de nouveau code, le code devra être répété et confirmé avec [#]
- Les voyants du bouton [5] et/ou [7] indiquent

de quel côté de la serrure le code est valide. Le bouton [7] indique le côté actuellement occupé par l'utilisateur, tandis que le bouton [5] indique l'autre côté de la serrure. Le modèle Vera à pavé numérique sur un seul côté affiche uniquement l'option [7]

- Une pression sur [5] et/ou [7] désélectionne (clignotement) ou sélectionne (lumière fixe) le côté correspondant
- Appuyez sur [#] pour confirmer
- Vous retournez au menu principal du mode de programmation

⚠ Lorsque deux codes différents sont saisis ou que la longueur du code est incorrecte, toutes les touches clignotent deux fois, ce qui indique que le réglage du code n'a pas été enregistré. Essayer à nouveau. [2] restera allumé

✎ Un code peut être supprimé en désélectionnant [5] et/ou [7] avant confirmation

2.5 CONFIGURER LA DEBRAYABILITE DE LA POIGNEE [3]

- Accédez au mode de programmation (voir 2.1)
 - Appuyez sur [#] pendant 5 secondes, [#] commencera à clignoter
 - Saisissez le code PIN administrateur (par défaut = 12345) et appuyez sur [#]. Si celui-ci est correct, [#] restera allumé tant que le mode de programmation sera activé
- Appuyez sur [3] et confirmez avec [#]
- [3] et [#] sont tous les deux allumés
- Saisissez une valeur comprise entre 1 et 99 et confirmez avec [#]. Lorsque toutes les LEDs clignotent, votre choix est enregistré
- Vous retournez au menu principal

⚠ Si une durée invalide est saisie, toutes les touches clignotent deux fois. Le menu [3] reste activé


✎ La durée par défaut est fixée à 8 secondes

2.6 CONFIGURER LE MODE DE SORTIE LIBRE [4]

Le menu du mode de sortie libre permet de configurer un côté de la serrure en « mode sortie libre ». Du côté sortie libre, la saisie d'un code PIN n'est pas nécessaire : il suffit d'appuyer sur n'importe quelle touche pour déverrouiller la serrure pour une durée prédéfinie.


- Accédez au mode de programmation (voir 2.1)
 - Appuyez sur [#] pendant 5 secondes, [#] commencera à clignoter

- Saisissez le code PIN administrateur (par défaut = 12345) et appuyez sur [#]. Si celui-ci est correct, [#] restera allumé tant que le mode de programmation sera activé
- Appuyez sur [4] et confirmez avec [#]
- [4] et [#] sont tous les deux allumés
- Les lumières du bouton [5] et/ou [7] indiquent quel côté de la serrure est configuré en mode sortie libre. Le bouton [7] indique le côté actuellement occupé par l'utilisateur, tandis que le bouton [5] indique l'autre côté de la serrure. Le modèle Vera à pavé numérique sur un seul côté affiche uniquement l'option [7]
- Une pression sur [5] et/ou [7] désélectionne (clignotement) ou sélectionne (lumière fixe) le côté correspondant à configurer en mode sortie libre
- La sélection est confirmée en appuyant sur la touche [#]
- Vous retournez au menu principal du mode de programmation
- Appuyez sur [#] pendant 5 secondes, [#] commencera à clignoter
- Saisissez le code PIN administrateur (par défaut = 12345) et appuyez sur [#]. Si celui-ci est correct, [#] restera allumé tant que le mode de programmation sera activé
- Appuyez sur [0] et confirmez avec [#]
- [0] clignotera rapidement pour indiquer qu'une action irréversible peut être prise
- Saisissez le code PIN administrateur et confirmez en maintenant [#] enfoncé pendant 2 secondes.
- Lorsque tous les voyants clignotent, la réinitialisation aux paramètres d'usine est effectuée. Tous les paramètres sont restaurés aux valeurs par défaut

 **Le mode sortie libre peut être désactivé en désélectionnant [5] et [7] avant confirmation**

2.7 CONFIGURER LE MODE ÉCLAIRAGE [5]

- Accédez au mode de programmation (voir 2.1)
 - Appuyez sur [#] pendant 5 secondes, [#] commencera à clignoter
 - Saisissez le code PIN administrateur (par défaut = 12345) et appuyez sur [#]. Si celui-ci est correct, [#] restera allumé tant que le mode de programmation sera activé
- Appuyer sur [5] et confirmer avec [#]
- [5] et [#] sont tous les deux allumés
- Choisissez le mode d'éclairage souhaité :
 - [1] Atténuation automatique (par défaut) :
En fonctionnement normal, les rétroéclairages sont éteints. Dès qu'un bouton est enfoncé, ils passent en pleine luminosité. Après 5 secondes d'inactivité l'éclairage s'éteint
 - [2] Rétroéclairage désactivé :
Les rétroéclairages ne s'allumeront pas lorsque vous appuyez sur un bouton
- Appuyer sur [1] ou [2] et confirmer avec [#]. Lorsque toutes les LEDs clignotent, votre choix est enregistré
- Vous retournez au menu principal

 **Si un numéro invalide est saisi, toutes les touches clignotent deux fois. Essayez à nouveau. Le menu [5] reste activé**

2.8 RESTAURER LES PARAMÈTRES D'USINE [0]

- Accédez au mode de programmation (voir 2.1)

3. RÉINITIALISATION DU PIN ADMINISTRATEUR EN CAS D'OUBLI DU PIN ADMINISTRATEUR

Pendant les 5 premières minutes suivant la (re)mise en place de la batterie, le code PIN administrateur par défaut (12345) peut être utilisé, ainsi que le code PIN administrateur choisi par l'utilisateur. Saisissez un nouveau code PIN administrateur en suivant les étapes de 2.2. Une réinitialisation aux paramètres d'usine, comme décrite à l'étape 2.8, rétablit définitivement le code PIN administrateur à la valeur par défaut 12345.

4. FONCTIONNEMENT DE LA SERRURE VERA


4.1 SAISIE D'UN CODE PIN CORRECT

- Entrez un code PIN (min. 4 - max. 8 chiffres)
- Appuyez sur [#] pour confirmer
- Une séquence lumineuse s'étend de bas en haut sur le clavier, indiquant qu'un code correct a été saisi

4.2 SAISIE D'UN CODE PIN ERRONÉ

- Entrez un mauvais code PIN
- Appuyez sur [#] pour confirmer
- Toutes les touches clignotent deux fois, indiquant qu'un mauvais code a été saisi
- Si 5 codes erronés ou plus sont saisis consécutivement, vous ne pourrez pas utiliser la serrure Vera pendant une certaine durée pour des raisons de sécurité. Le délai d'attente est précisé comme suit :
2^[nombre de tentatives infructueuses] secondes

Par exemple : 6 tentatives infructueuses entraînent un délai d'attente de 64 secondes (2⁶ secondes)

 **Le délai d'attente est réinitialisé lorsqu'un code correct est saisi ou si aucun nouveau code n'a été saisi pendant 2 heures**

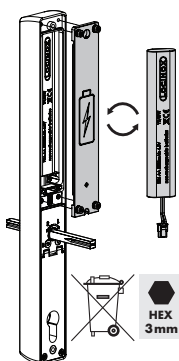
4.3 AVERTISSEMENT DE BATTERIE FAIBLE

Lorsque la batterie commence à faiblir, l'indicateur de batterie faible du clavier se met à clignoter lors de la saisie d'un code, ce qui indique qu'il est temps de remplacer la batterie.

4.4 REMPLACER LA BATTERIE

FR

- Retirez la serrure Vera du portail
- Ouvrez le couvercle de la batterie
- Remplacez la batterie
- Fermez le couvercle de la batterie
- Remontez le module Vera sur le portail



⚠ Commandez la batterie ici :



Locinox HQ
Mannebeekstraat 21
8790 Waregem - Belgique

Locinox USA LLC
460-464 Windy Point Drive
Glendale Heights, IL 60319 - USA

Marque	Locinox	
Produit	Vera	
Modèle	VERA-40-VSZ-2-9005	
Classement	U = 4.5 VDC	I = 5mA



Les règles de la Commission fédérale du commerce limitent l'envoi de messages électroniques commerciaux non désirés sur les ordinateurs.



Tout appareil mis au rebut peut être retourné au revendeur ou renvoyé à Locinox. La contribution de recyclage pour ce produit s'élève à 0,20 €.



Le marquage DEEE (Déchets d'équipements électriques et électroniques) sur le produit indique qu'il ne peut pas être mis au rebut avec d'autres déchets ménagers ordinaires et qu'il doit être déposé dans une déchetterie agréée pour le recyclage des déchets d'équipements électriques et électroniques.



En tant que fabricants de ce produit, nous garantissons avoir pris toutes les dispositions nécessaires pour être en conformité avec les normes de sécurité en vigueur pour ce type de produit.

5. ENTRETIEN

- Nettoyez le boîtier et l'écran à l'aide d'un chiffon doux imbibé d'un produit de nettoyage neutre
- N'utilisez jamais d'essence ou de produits chimiques sur l'appareil, car ils pourraient endommager le boîtier

6. INFORMATIONS GÉNÉRALES

- Veuillez respecter les réglementations locales en matière de recyclage des emballages et des appareils hors d'usage. Notre emballage est respectueux de l'environnement. Il peut être divisé en deux catégories de matériaux : le carton (boîte) et le polyester extensible (tampon)
- Votre appareil est fabriqué à partir de matériaux recyclables

7. GARANTIE

Une garantie de 2 ans couvre tous les composants électroniques.

Herzlichen Glückwunsch zum Kauf Ihres Vera

1. PRODUKTBESCHREIBUNG

Vera ist ein hochwertiges batteriebetriebenes elektronisches Codeschloss mit Aluminiumgehäuse. Dank des energieeffizienten Designs von Vera lässt sich jedes Tor mit einem FORTY-, FIFTY-, SIXTY- oder EIGHTYLOCK-Einsteckschloss ganz einfach mit einer Zugangskontrolle ausstatten, und das bei minimalem Wartungsaufwand.

Vera ist mit einer witterungsbeständigen, beleuchteten elektronischen Codetastatur auf einer oder zwei Seiten des Tors ausgestattet. Mithilfe dieser Codetastaturen können PIN-Codes einfach hinzugefügt, geändert oder entfernt werden. Es können bis zu 100 Codes programmiert werden. Es können unterschiedliche Eingangs- und Ausgangscodes verwendet werden, und das System unterstützt auch Codes für dauerhafte Öffnung.

2. PROGRAMMIERUNG

2.1 ZUGRIFF AUF DEN PROGRAMMIERMODUS

- Drücken Sie [#] 5 Sekunden lang, dann beginnt [#] zu blinken
- Geben Sie den Master-PIN-Code ein (Standard = 12345) und drücken Sie [#]. Bei korrekter Eingabe leuchtet [#] so lange, wie der Programmiermodus aktiviert ist
- Bei Eingabe einer falschen Master-PIN wird der Programmiermodus beendet und das unter 4.2 beschriebene Sperrverfahren setzt ein
- Wenn der Master-PIN-Code vergessen wurde, kann der Standard-Master-PIN-Code (12345) durch Abklemmen und erneutes Anschließen der Batterien vorübergehend für 5 Minuten aktiviert werden. Erstellen Sie einen neuen Master-PIN-Code, indem Sie den Schritten unter 2.2 folgen

⚠ Aus Sicherheitsgründen empfehlen wir dringend, die Master-PIN bei der ersten Nutzung zu ändern

⚠ Leuchtet nur [#], befinden Sie sich im Hauptmenü des Programmiermodus

- Wählen Sie ein Menü aus und bestätigen Sie die Auswahl mit [#]. Folgende Menüs stehen zur Verfügung:

[9] ▶ Master-PIN einrichten – 2.2

[1] ▶ PIN-Codes verwalten – 2.3

[2] ▶ Codes für dauerhafte Öffnung verwalten – 2.4

[3] ▶ Schaltdauer einrichten – 2.5

[4] ▶ Freien Ausgangsmodus (Free Exit) einrichten – 2.6

[5] ▶ Beleuchtungsmodus einrichten – 2.7

[0] ▶ Auf Werkseinstellungen zurücksetzen – 2.8

Detaillierte Informationen finden Sie in den nächsten Absätzen.

✎ Der Programmiermodus endet automatisch, wenn 60 Sekunden lang keine Aktivität erfolgt

- Nach der Auswahl eines Menüs ist es möglich, durch Drücken der Taste [C] zum Hauptmenü zurückzukehren
- Drücken Sie [C] 5 Sekunden lang, um den Programmiermodus zu verlassen

2.2 MASTER-PIN EINRICHTEN [9]

- Rufen Sie den Programmiermodus auf (siehe 2.1)
 - Drücken Sie [#] 5 Sekunden lang, dann beginnt [#] zu blinken
 - Geben Sie den Master-PIN-Code ein (Standard = 12345) und drücken Sie [#]. Bei korrekter Eingabe leuchtet [#] so lange, wie der Programmiermodus aktiviert ist
- Drücken Sie [9] und bestätigen Sie die Auswahl mit [#]
- [9] und [#] leuchten beide
- Die Standard-Master-PIN lautet 12345. Es muss immer ein 5-stelliger Code sein
- Geben Sie eine neue 5-stellige Master-PIN ein und drücken Sie [#]
- Wiederholen Sie den vorherigen Schritt, um die neue Master-PIN zu bestätigen
- Wenn beide Codes gleich sind, leuchten alle LEDs kurz auf und Sie kehren zum Hauptmenü des Programmiermodus zurück


2.3 PIN-CODES VERWALTEN [1]


- Rufen Sie den Programmiermodus auf (siehe 2.1)
 - Drücken Sie [#] 5 Sekunden lang, dann beginnt [#] zu blinken
 - Geben Sie den Master-PIN-Code ein (Standard = 12345) und drücken Sie [#]. Bei korrekter Eingabe leuchtet [#] so lange, wie der Programmiermodus aktiviert ist

⚠ Es können maximal 100 verschiedene PIN-Codes programmiert werden

DE

- Drücken Sie [1] und bestätigen Sie die Auswahl mit [#]
- [1] und [#] leuchten beide
- Geben Sie einen neuen PIN-Code (4-8 Ziffern) ein und bestätigen Sie den Code mit [#]
- Bei Eingabe eines neuen Codes muss der Code wiederholt und mit [#] bestätigt werden
- Die Leuchtanzeigen der Tasten [5] und/oder [7] zeigen an, auf welcher Seite des Schlosses der Code gültig ist. [7] wird auf der Seite verwendet, auf der sich der Benutzer gerade befindet, und [5] auf der anderen Seite. Das Modell Vera mit einseitiger Codetastatur zeigt nur die Option [7] an
- Durch Drücken von [5] und/oder [7] wird die entsprechende Seite deaktiviert (blinkend) oder aktiviert (dauerhaftes Leuchten)
- Drücken Sie zum Bestätigen [#]
- Sie gelangen damit zurück in das Hauptmenü des Programmiermodus, [#] leuchtet weiterhin. Drücken Sie [C] 5 Sekunden lang, um den Programmiermodus zu verlassen

 Wenn zwei unterschiedliche Codes oder eine falsche Codelänge eingegeben werden, blinken alle Tasten zweimal und zeigen damit an, dass die Codeeinstellung nicht gespeichert wurde. Versuchen Sie es erneut. [1] leuchtet weiterhin


 Ein Code kann entfernt werden, indem [5] und/oder [7] vor dem Bestätigen deaktiviert werden

2.4 CODES FÜR DAUERHAFTES ÖFFNUNG VERWALTEN [2]

PIN-Codes, die über das Menü [1] (PIN-Codes verwalten) generiert wurden, entriegeln das Schloss für eine vordefinierte Dauer, die im Menü [3] ('Schaltdauer einrichten') konfiguriert wird. Im Gegensatz dazu hat ein Code für "dauerhafte Öffnung" keine vordefinierte Entriegelungsdauer, sondern er bleibt so lange aktiviert, bis derselbe Code (oder ein anderer Code für dauerhafte Öffnung) eingegeben wird.

- Rufen Sie den Programmiermodus auf (siehe 2.1)
 - Drücken Sie [#] 5 Sekunden lang, dann beginnt [#] zu blinken
 - Geben Sie den Master-PIN-Code (Standard = 12345) ein und drücken Sie [#]. Bei korrekter Eingabe leuchtet [#] so lange, wie der Programmiermodus aktiviert ist
- Drücken Sie [2] und bestätigen Sie die Auswahl mit [#]
- [2] und [#] leuchten beide
- Geben Sie einen neuen PIN-Code ein und bestätigen Sie den Code mit [#]


- Bei Eingabe eines neuen Codes muss der Code wiederholt und mit [#] bestätigt werden
- Die Leuchtanzeigen der Tasten [5] und/oder [7] zeigen an, auf welcher Seite des Schlosses der Code gültig ist. [7] wird auf der Seite verwendet, auf der sich der Benutzer gerade befindet, und [5] auf der anderen Seite. Das Modell Vera mit einseitiger Codetastatur zeigt nur die Option [7] an
- Durch Drücken von [5] und/oder [7] wird die entsprechende Seite deaktiviert (blinkend) oder aktiviert (dauerhaftes Leuchten)
- Drücken Sie zum Bestätigen [#]
- Sie gelangen dann zurück in das Hauptmenü des Programmiermodus

 Wenn zwei unterschiedliche Codes oder eine falsche Codelänge eingegeben werden, blinken alle Tasten zweimal und zeigen damit an, dass die Codeeinstellung nicht gespeichert wurde. Versuchen Sie es erneut. [2] leuchtet weiterhin

 Ein Code kann entfernt werden, indem [5] und/oder [7] vor dem Bestätigen deaktiviert werden

2.5 SCHALTDAUER EINRICHTEN [3]

- Rufen Sie den Programmiermodus auf (siehe 2.1)
 - Drücken Sie [#] 5 Sekunden lang, dann beginnt [#] zu blinken
 - Geben Sie den Master-PIN-Code ein (Standard = 12345) und drücken Sie [#]. Bei korrekter Eingabe leuchtet [#] so lange, wie der Programmiermodus aktiviert ist
- Drücken Sie [3] und bestätigen Sie die Auswahl mit [#]
- [3] und [#] leuchten beide
- Geben Sie einen Wert zwischen 1 und 99 ein und bestätigen Sie den Wert mit [#]. Wenn alle LEDs blinken, ist Ihre Auswahl gespeichert
- Sie kehren dann zum Hauptmenü zurück

 Bei Eingabe einer ungültigen Zeit blinken alle Tasten zweimal. Menü [3] bleibt aktiviert


 Die Standardzeit ist auf 8 Sekunden eingestellt

2.6 FREIEN AUSGANGSMODUS (FREE EXIT) EINRICHTEN [4]

Im Menü 'Freier Ausgangsmodus' können Sie eine Seite des Schlosses im 'Freien Ausgangsmodus' konfigurieren. Auf der Seite mit dem freien Ausgang ist die Eingabe eines PIN-Codes nicht erforderlich: Durch einfaches Drücken einer beliebigen Taste wird das Schloss für eine vordefinierte Dauer entriegelt.


- Rufen Sie den Programmiermodus auf (siehe 2.1)

- Drücken Sie [#] 5 Sekunden lang, dann beginnt [#] zu blinken
- Geben Sie den Master-PIN-Code ein (Standard = 12345) und drücken Sie [#]. Bei korrekter Eingabe leuchtet [#] so lange, wie der Programmiermodus aktiviert ist
- Drücken Sie [4] und bestätigen Sie die Auswahl mit [#]
- [4] und [#] leuchten beide
- Die Leuchtanzeigen der Taste [5] und/oder [7] zeigen an, welche Seite des Schlosses im freien Ausgangsmodus konfiguriert ist. [7] wird auf der Seite verwendet, auf der sich der Benutzer gerade befindet, und [5] auf der anderen Seite. Das Modell Vera mit einseitiger Codetastatur zeigt nur die Option [7] an
- Durch Drücken von [5] und/oder [7] wird die entsprechende Seite deaktiviert (blinkend) oder aktiviert (dauerhaftes Leuchten) im freien Ausgangsmodus zu konfigurieren
- Die Auswahl wird durch Drücken der Taste [#] bestätigt
- Sie gelangen dann zurück in das Hauptmenü des Programmiermodus

 *Der freie Ausgangsmodus kann ausgeschaltet werden, indem [5] und [7] vor dem Bestätigen deaktiviert werden*

2.7 BELEUCHTUNGSMODUS EINRICHTEN [5]

- Rufen Sie den Programmiermodus auf (siehe 2.1)
 - Drücken Sie [#] 5 Sekunden lang, dann beginnt [#] zu blinken
 - Geben Sie den Master-PIN-Code ein (Standard = 12345) und drücken Sie [#]. Bei korrekter Eingabe leuchtet [#] so lange, wie der Programmiermodus aktiviert ist
- Drücken Sie [5] und bestätigen Sie die Auswahl mit [#]
- [5] und [#] leuchten beide
- Wählen Sie den gewünschten Beleuchtungsmodus:
 - [1] Automatisches Dimmen (Standard):
Im Normalbetrieb sind die Hintergrundbeleuchtungen ausgeschaltet. Sobald eine Taste gedrückt wird, schaltet sie auf volle Helligkeit um. Bei Inaktivität schaltet sich die Beleuchtung nach 5 Sekunden aus
 - [2] Hintergrundbeleuchtung deaktiviert:
Die Hintergrundbeleuchtung schaltet sich beim Drücken einer Taste nicht ein
- Drücken Sie [1] oder [2] und bestätigen Sie die Auswahl mit [#]. Wenn alle LEDs blinken, ist Ihre Auswahl gespeichert
- Sie kehren dann zum Hauptmenü zurück

 *Bei Eingabe einer ungültigen Nummer blinken alle Tasten zweimal. Versuchen Sie es erneut. Menü [5] bleibt aktiviert*

2.8 AUF WERKSEINSTELLUNGEN ZURÜCKSETZEN [0]

- Rufen Sie den Programmiermodus auf (siehe 2.1)
 - Drücken Sie [#] 5 Sekunden lang, dann beginnt [#] zu blinken
 - Geben Sie den Master-PIN-Code ein (Standard = 12345) und drücken Sie [#]. Bei korrekter Eingabe leuchtet [#] so lange, wie der Programmiermodus aktiviert ist
- Drücken Sie [0] und bestätigen Sie die Auswahl mit [#]
- [0] blinkt schnell, um anzuzeigen, dass eine irreversible Aktion durchgeführt werden kann
- Geben Sie die Master-PIN ein und bestätigen Sie sie, indem Sie [#] 2 Sekunden lang gedrückt halten.
- Wenn alle LEDs blinken, ist der Werksreset abgeschlossen. Alle Einstellungen wurden auf die Standardwerte zurückgesetzt

DE

3. ZURÜCKSETZEN DES MASTER-PINS BEI VERLUST DES MASTER-PINS

Während der ersten 5 Minuten nach dem (Wieder-)Einlegen der Batterien kann die standardmäßige Master-PIN (12345) zusammen mit der vom Benutzer gewählten Master-PIN verwendet werden. Erstellen Sie einen neuen Master-PIN-Code, indem Sie den Schritten unter 2.2 folgen. Durch einen Werksreset, wie in Schritt 2.8 beschrieben, wird die Master-PIN dauerhaft auf den Standardwert 12345 zurückgesetzt.


4. FUNKTIONSWEISE VON VERA

4.1 EINGABE EINES KORREKTEN PIN-CODES

- Geben Sie einen PIN-Code ein (min. 4 – max. 8 Ziffern)
- Drücken Sie zum Bestätigen [#]
- Eine von unten nach oben verlaufende Lichtsequenz über die Codetastatur zeigt an, dass ein korrekter Code eingegeben wurde

4.2 EINGABE EINES FALSCHEN CODES

- Geben Sie eine falsche PIN ein
- Drücken Sie zum Bestätigen [#]
- Alle Tasten blinken zweimal und zeigen damit an, dass ein falscher Code eingegeben wurde
- Wenn 5 oder mehr falsche Codes hintereinander eingegeben werden, können Sie das Vera aus Sicherheitsgründen für eine bestimmte Zeit nicht benutzen. Der Sperrzeitraum ist wie folgt festgelegt:
2[Anzahl der Fehlversuche] Sekunden
Beispiel: 6 Fehlversuche führen zu einem Sperrzeitraum von 64 Sekunden (2⁶ Sekunden)

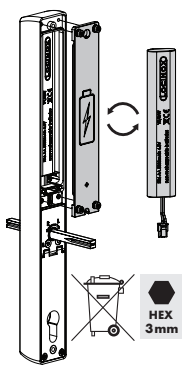
 *Der Sperrzeitraum wird zurückgesetzt, wenn ein korrekter Code eingegeben wird oder wenn innerhalb von 2 Stunden kein neuer Code eingegeben wurde*

4.3 WARNUNG BEI NIEDRIGEM BATTERIESTAND

Wenn die Batterien schwach werden, blinkt die Batteriestandsanzeige auf der Codetastatur auf, wenn ein Code eingegeben wird, und zeigt damit an, dass die Batterien ausgetauscht werden müssen.

4.4 BATTERIEWECHSEL

- Entfernen Sie das Codeschloss Vera vom Tor
- Öffnen Sie den Batteriedeckel
- Wechseln Sie die Batterien aus
- Schließen Sie den Batteriedeckel
- Montieren Sie das Codeschloss Vera wieder am Tor



⚠ Akkupack hier bestellen:



Locinox HQ
Mannebeekstraat 21
8790 Waregem - Belgien

Locinox USA LLC
460-464 Windy Point Drive
Glendale Heights, IL 60319 - USA

Marke	Locinox	
Produkt	Vera	
Modell	VERA-40-VSZ-2-9005	
Bewertung	U = 4.5 VDC	I = 5mA



Regeln der Federal Trade Commission beschränken den Versand unerwünschter kommerzieller E-Mail-Nachrichten an Computer



Ein ausgedientes Gerät kann entweder bei Ihrem Händler abgegeben oder an Locinox zurückgeschickt werden. Der Recyclingbeitrag für dieses Produkt beträgt € 0,2.



Die WEEE-Kennzeichnung auf dem Produkt weist darauf hin, dass es nicht zusammen mit dem normalen Hausmüll entsorgt werden darf und bei einer ausgewiesenen Sammelstelle für das Recycling von Elektro- und Elektronikschrott abgegeben werden muss.



Als Hersteller dieses Produkts garantieren wir, dass wir alle notwendigen Schritte unternommen haben, um die aktuellen Sicherheitsanforderungen für dieses Produkt zu erfüllen.

5. WARTUNG

- Reinigen Sie das Gehäuse und das Display mit einem weichen Tuch, das mit einem neutralen Reinigungsmittel angefeuchtet ist
- Verwenden Sie niemals Benzin oder Chemikalien zur Reinigung des Geräts, da sie das Gehäuse beschädigen könnten

6. ALLGEMEINE INFORMATIONEN

- Bitte halten Sie sich an die örtlichen Vorschriften für die Entsorgung von Verpackungsmaterial und Altgeräten. Unser Verpackungsmaterial ist umweltfreundlich. Es lässt sich in 2 Materialien trennen: Karton (Box) und dehnbare Polyester (Polstermaterial)
- Ihr Gerät besteht aus recycelbaren Materialien

7. GARANTIE

Für die gesamte Elektronik gilt eine Garantie von 2 Jahren.

Enhorabuena por la compra de su Vera

1. DESCRIPCIÓN DEL PRODUCTO

Vera es una cerradura de alta calidad con código electrónico que funciona a pilas y tiene una carcasa de aluminio. Gracias al diseño energéticamente eficiente de Vera, resulta muy sencillo añadir un control de acceso a cualquier puerta con una cerradura embutida FORTY, FIFTY, SIXTY o EIGHTYLOCK. Además, apenas necesita mantenimiento.

La cerradura Vera está equipada con un panel de codificación electrónica con iluminación y protección contra la intemperie para uno o dos lados de la puerta. Estos paneles de codificación permiten añadir, modificar o eliminar códigos PIN fácilmente. Se pueden programar hasta 100 códigos. Es posible utilizar diferentes códigos de entrada y salida y, además, el sistema admite códigos abiertos permanentemente.

2. PROGRAMACIÓN

2.1 ACCESO AL MODO DE PROGRAMACIÓN

- Pulse [#] 5 segundos y la tecla [#] comenzará a parpadear
- Introduzca el código PIN maestro (código predeterminado: 12345) y pulse [#]. Si es correcto, la tecla [#] permanecerá encendida mientras el modo de programación esté activado
- Si se introduce un PIN maestro erróneo, se desactivará el modo de programación y se activará el procedimiento de inactividad descrito en el apartado 4.2
- Si olvida el código PIN maestro, se puede habilitar el código PIN maestro predeterminado (12345) durante 5 minutos después de quitar y volver a poner las pilas. Para crear un nuevo código PIN maestro, siga los pasos descritos en el apartado 2.2

⚠ Por razones de seguridad, le recomendamos encarecidamente que cambie el PIN maestro la primera vez que lo use

⚠ Si solo se enciende la tecla [#], significa que está en el menú principal del modo de programación

- Seleccione un menú y confirme pulsando la tecla [#]. Están disponibles los siguientes menús:

[9] ▶ Configurar el PIN maestro – 2.2

[1] ▶ Gestionar códigos PIN – 2.3

- [2] ▶ Gestionar códigos abiertos permanentemente – 2.4
- [3] ▶ Configurar la duración de conmutación – 2.5
- [4] ▶ Configurar el modo de salida libre – 2.6
- [5] ▶ Configurar el modo de iluminación – 2.7
- [0] ▶ Restablecer configuración de fábrica – 2.8

Consulte los detalles en los apartados siguientes.

✎ El modo de programación se desactiva automáticamente si no hay actividad durante 60 segundos

- Tras seleccionar un menú, puede volver al menú principal pulsando la tecla [C]
- Mantenga pulsada la tecla [C] durante 5 segundos para abandonar el modo de programación

2.2 CONFIGURAR EL PIN MAESTRO [9]

- Acceda al modo de programación (consulte el apartado 2.1)
 - Pulse [#] 5 segundos y la tecla [#] comenzará a parpadear
 - Introduzca el código PIN maestro (código predeterminado: 12345) y pulse [#]. Si es correcto, la tecla [#] permanecerá encendida mientras el modo de programación esté activado
- Pulse [9] y confirme con la tecla [#]
- Las teclas [9] y [#] se encenderán
- El PIN maestro predeterminado es 12345. El código debe tener siempre 5 dígitos
- Introduzca un nuevo PIN maestro de 5 dígitos y pulse [#]
- Repita el paso anterior para confirmar el nuevo PIN maestro
- Si los códigos coinciden, se encenderán todos los LED brevemente y volverá al menú principal del modo de programación

2.3 GESTIONAR CÓDIGOS PIN [1]

- Acceda al modo de programación (consulte el apartado 2.1)
 - Pulse [#] 5 segundos y la tecla [#] comenzará a parpadear
 - Introduzca el código PIN maestro (código predeterminado: 12345) y pulse [#]. Si es correcto, la tecla [#] permanecerá encendida mientras el modo de programación esté activado

⚠ Se pueden programar un máximo de 100 códigos PIN diferentes

- Pulse [1] y confirme con la tecla [#]
- Las teclas [1] y [#] se encenderán
- Introduzca un nuevo código PIN (4-8 dígitos) y confirme con la tecla [#]
- En el caso de establecer un código nuevo, este se deberá repetir y confirmar con [#]
- Las luces de los botones [5] y [7] indican por qué lado de la cerradura es válido el código. La tecla [7] corresponde al lado que el usuario está usando actualmente y la [5], al otro lado. El modelo Vera que solo tiene teclado en un lado muestra únicamente la opción [7]
- Al pulsar [5] y/o [7], se selecciona (encendido permanentemente) o se deselecciona (parpadeo) el lado correspondiente
- Pulse [#] para confirmar
- Volverá al menú principal del modo de programación y la tecla [#] permanecerá encendida. Mantenga pulsada la tecla [C] durante 5 segundos para abandonar el modo de programación

⚠ Si se introducen dos códigos diferentes o de longitud errónea, todas las teclas parpadearán dos veces para indicar que el código fijado no se ha guardado. Vuelva a intentarlo. La tecla [1] permanecerá encendida

✎ Es posible eliminar un código si se deseleccionan las teclas [5] y/o [7] antes de la confirmación

2.4 GESTIONAR CÓDIGOS PERMANENTEMENTE ABIERTOS [2]

Los códigos PIN generados mediante el menú [1] ("Gestionar códigos PIN") desbloquearán la cerradura durante un período predefinido, según lo configurado en el menú [3] ("Configurar la duración de conmutación"). Por el contrario, un código "permanentemente abierto" no tiene una duración predefinida para mantenerse abierto, pero seguirá abierto hasta que se introduzca el mismo código (u otro código permanentemente abierto)

- Acceda al modo de programación (consulte el apartado 2.1)
 - Pulse [#] 5 segundos y la tecla [#] comenzará a parpadear
 - Introduzca el código PIN maestro (código predeterminado: 12345) y pulse [#]. Si es correcto, la tecla [#] permanecerá encendida mientras el modo de programación esté activado
- Pulse [2] y confirme con la tecla [#]
- Las teclas [2] y [#] se encenderán

- Introduzca un nuevo código PIN y confirme con [#]
- En el caso de establecer un código nuevo, este se deberá repetir y confirmar con [#]
- Las luces de los botones [5] y [7] indican por qué lado de la cerradura es válido el código. La tecla [7] corresponde al lado que el usuario está usando actualmente y la [5], al otro lado. El modelo Vera que solo tiene teclado en un lado muestra únicamente la opción [7]
- Al pulsar [5] y/o [7], se selecciona (encendido permanentemente) o se deselecciona (parpadeo) el lado correspondiente
- Pulse [#] para confirmar
- Volverá al menú principal del modo de programación

⚠ Si se introducen dos códigos diferentes o de longitud errónea, todas las teclas parpadearán dos veces para indicar que el código fijado no se ha guardado. Vuelva a intentarlo. La tecla [2] permanecerá encendida

✎ Es posible eliminar un código si se deseleccionan las teclas [5] y/o [7] antes de la confirmación

2.5 CONFIGURAR LA DURACIÓN DE CONMUTACIÓN [3]

- Acceda al modo de programación (consulte el apartado 2.1)
 - Pulse [#] 5 segundos y la tecla [#] comenzará a parpadear
 - Introduzca el código PIN maestro (código predeterminado: 12345) y pulse [#]. Si es correcto, la tecla [#] permanecerá encendida mientras el modo de programación esté activado
- Pulse [3] y confirme con la tecla [#]
- Las teclas [3] y [#] se encenderán
- Introduzca un valor comprendido entre 1 y 99 y confirme con [#]. Su elección se guardará cuando parpaddeen todos los LED
- Volverá al menú principal

⚠ Si se introduce un tiempo no válido, todas las teclas parpadearán dos veces. El menú [3] permanecerá activado


✎ El tiempo predeterminado está establecido en 8 segundos

2.6 CONFIGURAR EL MODO DE SALIDA LIBRE [4]

El menú del modo de salida libre permite configurar un lado de la cerradura en "modo de salida libre". En el lado de salida libre, no es necesario introducir


un código PIN: con solo presionar cualquier tecla se desbloqueará la cerradura durante un período predefinido.

- Acceda al modo de programación (consulte el apartado 2.1)
 - Pulse [#] 5 segundos y la tecla [#] comenzará a parpadear
 - Introduzca el código PIN maestro (código predeterminado: 12345) y pulse [#]. Si es correcto, la tecla [#] permanecerá encendida mientras el modo de programación esté activado
- Pulse [4] y confirme con la tecla [#]
- Las teclas [4] y [#] se eliminarán
- Las luces de los botones [5] y [7] indican qué lado de la cerradura está configurado en el modo de salida libre. La tecla [7] corresponde al lado que el usuario está usando actualmente y la [5], al otro lado. El modelo Vera que solo tiene teclado en un lado muestra únicamente la opción [7]
- Al pulsar [5] y/o [7], se selecciona (encendido permanentemente) o se deselecciona (parpadeo) el lado correspondiente para configurarlo en el modo de salida libre
- La selección se confirma pulsando la tecla [#]
- Volverá al menú principal del modo de programación

 **Es posible desactivar el modo de salida libre si se deseleccionan las teclas [5] y [7] antes de la confirmación**

2.7 FIJAR EL MODO DE ILUMINACIÓN [5]

- Acceda al modo de programación (consulte el apartado 2.1)
 - Pulse [#] 5 segundos y la tecla [#] comenzará a parpadear
 - Introduzca el código PIN maestro (código predeterminado: 12345) y pulse [#]. Si es correcto, la tecla [#] permanecerá encendida mientras el modo de programación esté activado
- Pulse [5] y confirme con la tecla [#]
- Las teclas [5] y [#] se eliminarán
- Elija el modo de iluminación que desee:
 - [1] Atenuación automática (predeterminado): Durante el funcionamiento normal, la retroiluminación permanece apagada. Nada más pulsar un botón, se ilumina al máximo. Tras 5 segundos de inactividad, la iluminación se apaga
 - [2] Retroiluminación desactivada: La retroiluminación no se encenderá al pulsar un botón
- Pulse [1] o [2] y confirme con [#]. Su elección se guardará cuando parpadéen todos los LED
- Volverá al menú principal

 **Si se introduce un número no válido, todas las luces parpadearán dos veces. Vuelva a intentarlo. El menú [5] permanecerá activado**

2.8 RESTABLECER LA CONFIGURACIÓN DE FÁBRICA [0]

- Acceda al modo de programación (consulte el apartado 2.1)
 - Pulse [#] 5 segundos y la tecla [#] comenzará a parpadear
 - Introduzca el código PIN maestro (código predeterminado: 12345) y pulse [#]. Si es correcto, la tecla [#] permanecerá encendida mientras el modo de programación esté activado
- Pulse [0] y confirme con la tecla [#]
- [0] parpadeará rápidamente para indicar que se puede realizar una acción irreversible
- Introduzca el PIN maestro y confirme manteniendo pulsada la tecla [#] durante 2 segundos.
- Cuando parpadéen todos los LED, se habrá restablecido la configuración de fábrica. Todos los ajustes se restablecen en los valores predeterminados

3. RESTABLECER EL PIN MAESTRO SI SE HA PERDIDO

Durante los primeros 5 minutos después de volver a colocar las pilas, se puede utilizar el PIN maestro predeterminado (12345), junto con el PIN maestro que el usuario haya elegido. Para crear un nuevo código PIN maestro, siga los pasos descritos en el apartado 2.2. Si se restablecen los ajustes de fábrica, tal y como se describe en el paso 2.8, el PIN maestro volverá al valor predeterminado 12345 de forma permanente.

4. FUNCIONAMIENTO DE VERA


4.1 INTRODUCCIÓN DE UN CÓDIGO CORRECTO

- Introduzca un código PIN (4-8 dígitos)
- Pulse [#] para confirmar
- Se produce una secuencia de iluminación de abajo arriba en el teclado para indicar que se ha introducido un código correcto

4.2 INTRODUCCIÓN DE UN CÓDIGO INCORRECTO

- Introduzca un PIN incorrecto
- Pulse [#] para confirmar
- Todas las teclas parpadean dos veces, lo que indica que se ha introducido un código incorrecto
- Si se introducen 5 o más códigos incorrectos de forma consecutiva, no podrá utilizar Vera durante un tiempo por motivos de seguridad. El tiempo de espera se especifica de la siguiente manera: 2[número de intentos fallidos] segundos

Por ejemplo: 6 intentos fallidos dan como resultado un tiempo de espera de 64 segundos (2⁶ segundos)

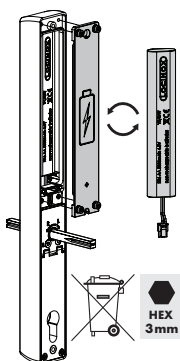
 **El tiempo de espera se restablece al introducir un código correcto o si no se introduce ningún código durante 2 horas**

4.3 ADVERTENCIA DE NIVEL BAJO DE BATERÍA

Cuando las pilas comienzan a agotarse, comenzará a parpadear el indicador de nivel bajo de batería del teclado al introducir un código, lo que indica que ha llegado el momento de cambiar las pilas.

4.4 SUSTITUCIÓN DE LAS PILAS

- Retire la cerradura Vera de la puerta
- Abra la tapa del compartimento de las pilas
- Cambie las pilas
- Cierre la tapa
- Vuelva a instalar el módulo Vera en la puerta



ES

5. MANTENIMIENTO

- Limpie la carcasa y la pantalla con un paño suave y humedecido con un detergente neutro
- Nunca utilice gasolina ni otros productos químicos, ya que podrían dañar la carcasa

6. INFORMACIÓN GENERAL

- Respete las normas locales relativas a la eliminación de embalajes y dispositivos fuera de uso. Nuestros embalajes son ecológicos. Están fabricados con 2 materiales: cartón (la caja) y poliestireno expandido (material amortiguador)
- El dispositivo está fabricado con materiales reciclables

7. GARANTÍA

Todos los equipos electrónicos tienen una garantía de 2 años.

⚠ Pida una batería aquí:



Locinox HQ
Mannebeekstraat 21
8790 Waregem - Belgium

Locinox USA LLC
460-464 Windy Point Drive
Glendale Heights, IL 60319 - USA

Marca	Locinox	
Producto	Vera	
Modelo	VERA-40-VSZ-2-9005	
Clasificación	U = 4,5 VDC	I = 5mA



Las normas de la Comisión Federal de Comercio restringen el envío de mensajes comerciales no deseados a los ordenadores



Puede devolver un producto desechado a su distribuidor o enviarlo a Locinox. La tasa de reciclado de este producto es 0,2 €.



El marcado WEEE del producto indica que no se puede arrojar a la basura junto con desechos domésticos, sino que debe ser entregado en un punto de recogida designado para el reciclaje de residuos eléctricos y electrónicos.



Como fabricante de este producto, le garantizamos que hemos tomado todas las medidas necesarias en cumplimiento de las normas de seguridad vigentes.

Gratulujemy zakupu zamka szyfrowego Vera

1. OPIS PRODUKTU

Vera to wysokiej jakości zasilany bateryjnie elektroniczny zamek szyfrowy o aluminiowej obudowie. Energooszczędna konstrukcja zamka Vera umożliwia łatwe wyposażenie dowolnej bramy z zamkiem wpuszczanym FORTY-, FIFTY-, SIXTY- lub EIGHTYLOCK w kontrolę dostępu przy minimalnych wymaganiach konserwacyjnych.

Zamek Vera jest wyposażony w zabezpieczony przed warunkami atmosferycznymi podświetlany elektroniczny panel kodowy po jednej lub dwóch stronach bramy. Za pomocą paneli kodowych można łatwo dodawać, modyfikować lub usuwać kody PIN. Można zaprogramować do 100 kodów. Do wejścia i wyjścia można używać różnych kodów, a system obsługuje również kody stałego otwarcia.

2. PROGRAMOWANIE

2.1 DOSTĘP DO TRYBU PROGRAMOWANIA

- Przytrzymaj [#] przez 5 sekund, [#] zacznie migać
- Wprowadź główny PIN (domyślny = 12345) i naciśnij [#]. Jeśli kod jest prawidłowy, klawisz [#] pozostanie podświetlony tak długo, jak długo aktywny będzie tryb programowania
- Jeżeli zostanie wprowadzony nieprawidłowy główny PIN, tryb programowania zakończy się i aktywuje się procedura blokady opisana w punkcie 4.2
- Jeśli zapomnisz główny PIN, domyślny główny PIN (12345) może zostać tymczasowo włączony na 5 minut po odłączeniu i ponownym podłączeniu baterii. Utwórz nowy główny PIN, postępując zgodnie z krokami podanymi w punkcie 2.2

⚠ Ze względów bezpieczeństwa zdecydowanie zalecamy zmianę głównego PIN-u przy pierwszym użyciu

⚠ Jeśli świeci się tylko [#], znajdujesz się w menu głównym trybu programowania

- Wybierz menu i potwierdź klawiszem [#].
Dostępne są następujące menu:

- [9] ▶ ustawianie głównego PIN-u – 2.2
- [1] ▶ zarządzanie kodami PIN – 2.3
- [2] ▶ zarządzanie kodami stałego otwarcia – 2.4

- [3] ▶ ustawianie czasu przełączania – 2.5
- [4] ▶ ustawianie trybu swobodnego wyjścia – 2.6
- [5] ▶ ustawianie trybu oświetlenia – 2.7
- [0] ▶ reset do ustawień fabrycznych – 2.8

Szczegółowe informacje można znaleźć w kolejnych punktach

✎ Tryb programowania kończy się automatycznie po 60 sekundach braku aktywności

- Po wybraniu menu można wrócić do menu głównego poprzez naciśnięcie klawisza [C]
- Przytrzymaj [C] przez 5 sekund, aby wyjść z trybu programowania

2.2 USTAWIANIE GŁÓWNEGO PIN-U – [9]

- Przejdź do trybu programowania (patrz 2.1.)
 - Przytrzymaj [#] przez 5 sekund, [#] zacznie migać
 - Wprowadź główny PIN (domyślny = 12345) i naciśnij [#]. Jeśli kod jest prawidłowy, klawisz [#] pozostanie podświetlony tak długo, jak długo aktywny będzie tryb programowania
- Naciśnij [9] i potwierdź klawiszem [#]
- Oba klawisze – [9] i [#] – są podświetlone
- Domyślny główny PIN to 12345. Zawsze musi to być kod 5-cyfrowy
- Wprowadź nowy 5-cyfrowy główny PIN i naciśnij [#]
- Powtórz poprzedni krok, aby potwierdzić nowy główny PIN
- Jeżeli oba kody są identyczne, wszystkie diody LED zaświecą się na chwilę i nastąpi powrót do menu głównego trybu programowania

2.3 ZARZĄDZANIE KODAMI PIN – [1]

- Przejdź do trybu programowania (patrz 2.1.)
 - Przytrzymaj [#] przez 5 sekund, [#] zacznie migać
 - Wprowadź główny PIN (domyślny = 12345) i naciśnij [#]. Jeśli kod jest prawidłowy, klawisz [#] pozostanie podświetlony tak długo, jak długo aktywny będzie tryb programowania

⚠ Można zaprogramować do 100 różnych kodów PIN

- Naciśnij [1] i potwierdź klawiszem [#]
- Oba klawisze – [1] i [#] – są podświetlone
- Wprowadź nowy kod PIN (4–8 cyfr) i potwierdź klawiszem [#]
- W przypadku nowego kodu należy go powtórzyć i potwierdzić klawiszem [#]
- Lampki przycisku [5] i/lub [7] wskazują, po której stronie zamka obowiązuje kod. [7] oznacza stronę, z której aktualnie korzysta użytkownik, natomiast [5] oznacza drugą stronę. Model Vera z klawiaturą po jednej stronie pokazuje tylko opcję [7]
- Naciśnięcie [5] i/lub [7] spowoduje anulowanie wyboru (miganie) lub wybranie (świecenie ciągłe) odpowiedniej strony
- Naciśnij [#], aby potwierdzić
- Powrócisz do głównego menu trybu programowania, klawisz [#] pozostanie podświetlony. Przytrzymaj [C] przez 5 sekund, aby wyjść z trybu programowania

⚠ Po wprowadzeniu dwóch różnych kodów lub kodu nieprawidłowej długości wszystkie klawisze zamigają dwa razy, co oznacza, że ustawienie kodu nie zostało zapisane. Spróbuj ponownie. Klawisz [1] pozostanie podświetlony

✎ Kod można usunąć poprzez anulowanie wyboru [5] i/lub [7] przed potwierdzeniem

2.4 ZARZĄDZANIE KODAMI STAŁEGO OTWARCIA – [2]

Kody PIN wygenerowane za pomocą menu [1] (zarządzanie kodami PIN) odblokują zamek na określony czas, skonfigurowany w menu [3] (ustawianie czasu przełączenia). Natomiast kod „stałego otwarcia” nie ma z góry określonego czasu, przez który zamek pozostaje otwarty, ale będzie otwarty, dopóki nie zostanie wprowadzony ten sam kod (lub inny kod stałego otwarcia).

- Przejdź do trybu programowania (patrz 2.1.)
 - Przytrzymaj [#] przez 5 sekund, [#] zacznie migać
 - Wprowadź główny kod PIN (domyślny = 12345) i naciśnij [#]. Jeśli kod jest prawidłowy, klawisz [#] pozostanie podświetlony tak długo, jak długo aktywny będzie tryb programowania
- Naciśnij [2] i potwierdź klawiszem [#]
- Oba klawisze – [2] i [#] – są podświetlone
- Wprowadź nowy kod PIN i potwierdź klawiszem [#]
- W przypadku nowego kodu należy go powtórzyć i potwierdzić klawiszem [#]
- Lampki przycisku [5] i/lub [7] wskazują, po której stronie zamka obowiązuje kod. [7] oznacza stronę, z której aktualnie korzysta użytkownik, natomiast [5] oznacza drugą stronę. Model Vera z klawiaturą po jednej stronie pokazuje tylko opcję [7]

- Naciśnięcie [5] i/lub [7] spowoduje anulowanie wyboru (miganie) lub wybranie (świecenie ciągłe) odpowiedniej strony
- Naciśnij [#], aby potwierdzić
- Powrócisz do menu głównego trybu programowania

⚠ Po wprowadzeniu dwóch różnych kodów lub kodu nieprawidłowej długości wszystkie klawisze zamigają dwa razy, co oznacza, że ustawienie kodu nie zostało zapisane. Spróbuj ponownie. Klawisz [1] pozostanie podświetlony

✎ Kod można usunąć poprzez anulowanie wyboru [5] i/lub [7] przed potwierdzeniem

2.5 USTAWIANIE CZASU PRZEŁĄCZANIA – [3]

- Przejdź do trybu programowania (patrz 2.1.)
 - Przytrzymaj [#] przez 5 sekund, [#] zacznie migać
 - Wprowadź główny PIN (domyślny = 12345) i naciśnij [#]. Jeśli kod jest prawidłowy, klawisz [#] pozostanie podświetlony tak długo, jak długo aktywny będzie tryb programowania
- Naciśnij [3] i potwierdź klawiszem [#]
- Oba klawisze – [3] i [#] – są podświetlone
- Wprowadź wartość z zakresu od 1 do 99 i potwierdź klawiszem [#]. Kiedy wszystkie diody LED zaczną migać, wybór został zapisany
- Powrócisz do menu głównego

⚠ W przypadku wprowadzenia nieprawidłowego czasu wszystkie klawisze zamigają dwa razy. Menu [3] pozostaje aktywne


✎ Domyślny czas ustawiony jest na 8 sekund

2.6 USTAWIANIE TRYBU SWOBODNEGO WYJŚCIA – [4]

Menu trybu swobodnego wyjścia umożliwia skonfigurowanie strony zamka w „trybie swobodnego wyjścia”. Po stronie swobodnego wyjścia nie jest wymagane wprowadzanie kodu PIN: samo naciśnięcie dowolnego klawisza powoduje odblokowanie zamka na określony czas.


- Przejdź do trybu programowania (patrz 2.1.)
 - Przytrzymaj [#] przez 5 sekund, [#] zacznie migać
 - Wprowadź główny PIN (domyślny = 12345) i naciśnij [#]. Jeśli kod jest prawidłowy, klawisz [#] pozostanie podświetlony tak długo, jak długo aktywny będzie tryb programowania
- Naciśnij [4] i potwierdź klawiszem [#]
- Oba klawisze – [4] i [#] – są podświetlone

- Lampki przycisku [5] i/lub [7] wskazują, która strona zamka jest skonfigurowana w trybie swobodnego wyjścia. [7] oznacza stronę, z której aktualnie korzysta użytkownik, natomiast [5] oznacza drugą stronę. Model Vera z klawiaturą po jednej stronie pokazuje tylko opcję [7]
- Naciśnięcie [5] i/lub [7] spowoduje anulowanie wyboru (miganie) lub wybranie (świecenie ciągle) odpowiedniej strony do skonfigurowania w trybie swobodnego wyjścia
- Wybór potwierdzamy naciśnięciem klawisza [#]
- Powrócisz do menu głównego trybu programowania

 **Tryb swobodnego wyjścia można wyłączyć, anulując wybór [5] i [7] przed potwierdzeniem**

2.7 USTAWIANIE TRYBU OŚWIETLENIA – [5]

- Przejdź do trybu programowania (patrz 2.1.)
 - Przytrzymaj [#] przez 5 sekund, [#] zacznie migać
 - Wprowadź główny PIN (domyślny = 12345) i naciśnij [#]. Jeśli kod jest prawidłowy, klawisz [#] pozostanie podświetlony tak długo, jak długo aktywny będzie tryb programowania
- Naciśnij [5] i potwierdź klawiszem [#]
- Oba klawisze – [5] i [#] – są podświetlone
- Wybierz żądany tryb oświetlenia:
 - [1] Automatyczne przyciemnianie (domyślne): Podczas normalnej pracy podświetlenie jest wyłączone. Po naciśnięciu przycisku przechodzi do pełnej jasności. Po 5 sekundach bezczynności oświetlenie zostaje wyłączone
 - [2] Podświetlenie wyłączone: Podświetlenie nie włączy się po naciśnięciu przycisku
- Naciśnij [1] lub [2] i potwierdź klawiszem [#]. Kiedy wszystkie diody LED zaczną migać, wybór został zapisany
- Powrócisz do menu głównego

 **W przypadku wprowadzenia nieprawidłowego numeru wszystkie klawisze zamigają dwa razy. Spróbuj ponownie. Menu [5] pozostaje aktywne**

2.8 RESET DO USTAWIEŃ FABRYCZNYCH – [0]

- Przejdź do trybu programowania (patrz 2.1.)
 - Przytrzymaj [#] przez 5 sekund, [#] zacznie migać
 - Wprowadź główny PIN (domyślny = 12345) i naciśnij [#]. Jeśli kod jest prawidłowy, klawisz [#] pozostanie podświetlony tak długo, jak długo aktywny będzie tryb programowania
- Naciśnij [0] i potwierdź klawiszem [#]

- [0] będzie szybko migać, wskazując, że może zostać podjęte nieodwracalne działanie
- Wprowadź główny PIN i potwierdź, przytrzymując [#] przez 2 sekundy
- Gdy wszystkie diody LED zaczną migać, reset do ustawień fabrycznych jest zakończony. Wszystkie ustawienia zostaną przywrócone do wartości domyślnych

3. RESETOWANIE GŁÓWNEGO PIN-U W PRZYPADKU JEGO UTRATY

Przez pierwsze 5 minut po wymianie/włożeniu baterii można używać domyślnego głównego PIN-u (12345) wraz z głównym PIN-em wybranym przez użytkownika. Utwórz nowy główny PIN, postępując zgodnie z krokami podanymi w punkcie 2.2. Przywrócenie ustawień fabrycznych, jak opisano w kroku 2.8., spowoduje trwałe przywrócenie głównego PIN-u do wartości domyślnej (12345).

4. FUNKCJONOWANIE ZAMKA VERA


4.1 WPROWADZANIE PRAWIDŁOWEGO KODU PIN

- Wprowadź kod PIN (min. 4, maks. 8 cyfr)
- Naciśnij [#], aby potwierdzić
- Sekwencja podświetlenia kontrolki na klawiaturze od dołu do góry oznacza, że wprowadzono prawidłowy kod

4.2 WPROWADZENIE NIEPRAWIDŁOWEGO KODU

- Wprowadź nieprawidłowy PIN
- Naciśnij [#], aby potwierdzić
- Wszystkie klawisze zamigają dwa razy, wskazując, że wprowadzono nieprawidłowy kod
- Jeżeli zostanie wprowadzonych kolejno 5 lub więcej nieprawidłowych kodów, ze względów bezpieczeństwa przez pewien czas nie będzie można używać zamka Vera. Czas blokady jest określany w następujący sposób: 2^[liczba nieudanych prób] sek.

Na przykład: 6 nieudanych prób skutkuje blokadą trwającą 64 sekundy (2⁶ sekund)

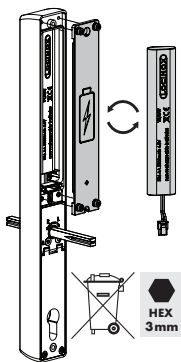
 **Blokada jest resetowana po wprowadzeniu prawidłowego kodu lub jeśli w ciągu 2 godzin nie wprowadzono żadnego nowego kodu**

4.3 OSTRZEŻENIE O SŁABEJ BATERII

Kiedy baterie zaczną się wyczerpywać, wskaźnik niskiego poziomu baterii na klawiaturze zacznie migać podczas wprowadzania kodu, sygnalizując, że nadszedł czas na wymianę baterii.

4.4 WYMIANA BATERII

- Zdejmij zamek Vera z bramy
- Otwórz pokrywę baterii
- Wymień baterie
- Zamknij pokrywę baterii
- Zamontuj moduł Vera z powrotem na bramie



PL

⚠ Zamów baterie tutaj:



5. KONSERWACJA

- Obudowę i wyświetlacz czyść miękką ściereczką zwilżoną neutralnym środkiem czyszczącym
- Nigdy nie używaj paliwa ani środków chemicznych do czyszczenia urządzenia, ponieważ mogą one uszkodzić obudowę

6. INFORMACJE OGÓLNE

- Przestrzegaj lokalnych przepisów dotyczących składowania materiałów opakowaniowych i urządzeń, które nie są już używane. Nasze materiały opakowaniowe są przyjazne dla środowiska. Można je podzielić na 2 materiały: karton (pudełko) i ekspandowany poliester (zabezpieczenie)
- Urządzenie jest wykonane z materiałów nadających się do recyklingu

7. GWARANCJA

Cała elektronika objęta jest 2-letnią gwarancją.

Locinox HQ
Mannebeekstraat 21
8790 Waregem- Blegium

Locinox USA LLC
460-464 Windy Point Drive
Glendale Heights, IL 60319 - USA

Marka	Locinox	
Produkt	Vera	
Model	VERA-40-VSZ-2-9005	
Ocena	U = 4.5 VDC	I = 5mA



Przepisy Federalnej Komisji Handlu ograniczają wysyłanie do komputerów niechcianych komercyjnych wiadomości e-mail



Po zakończeniu użytkowania urządzenie można zwrócić swojemu sprzedawcy lub odesłać do firmy Locinox. Opłata recyklingowa dla tego produktu wynosi 0,2 €.



Oznaczenie WEEE umieszczone na produkcie oznacza, że nie wolno go wyrzucać wraz ze zwykłymi śmieciami domowymi, tylko oddać do wyznaczonego punktu recyklingu odpadów elektrycznych i elektronicznych.



Producent urządzenia zapewnia, że podjął wszelkie niezbędne kroki w celu zagwarantowania, aby produkt ten spełniał obowiązujące wymogi w zakresie bezpieczeństwa.

Поздравляю с покупкой вашей Vera

1. ОПИСАНИЕ ПРОДУКТА

Vera — это электронный кодовый замок высокого качества с батарейным питанием и алюминиевым корпусом. Энергоэффективная конструкция Vera позволяет очень легко добавить контроль доступа к любым воротам с врезным замком FORTY, FIFTY, SIXTY или EIGHTYLOCK с минимальной необходимостью в обслуживании.

Vera оснащена защищенной от атмосферных воздействий подсвечиваемой электронной панелью с кодом с одной или двух сторон ворот. С помощью этих кодовых панелей можно легко добавлять, изменять или удалять ПИН-коды. Можно запрограммировать до 100 кодов. Для входа и выхода могут использоваться разные коды, а также система поддерживает постоянно открытые коды.

2. ПРОГРАММИРОВАНИЕ

2.1 ДОСТУП К РЕЖИМУ ПРОГРАММИРОВАНИЯ

- Нажать [#] в течение 5 секунд, [#] начнет мигать
- Ввести главный ПИН-код (по умолчанию = 12345) и нажать [#]. Если все правильно, [#] будет гореть до тех пор, пока активирован режим программирования
- При введении неверного основного ПИН-кода, режим программирования завершается и применяется процедура тайм-аута, описанная в 4.2
- Если вы забыли основной ПИН-код, главный ПИН-код по умолчанию (12345) можно временно активировать на 5 минут после отключения и повторного подключения аккумуляторов. Создайте новый главный ПИН-код, выполнив действия, описанные в 2.2

⚠ Из соображений безопасности мы настоятельно рекомендуем сменить главный ПИН-код при первом использовании

⚠ Если горит только [#], вы находитесь в главном меню режима программирования

- Выберите меню и подтвердите нажатием [#]. Доступны следующие меню:

- [9] ▶ настройка основного ПИН-кода – 2.2
- [1] ▶ управлять ПИН-кодами – 2.3
- [2] ▶ управлять постоянно открытыми кодами – 2.4

- [3] ▶ длительность переключения настройки – 2.5
- [4] ▶ настройка режима свободного выхода – 2.6
- [5] ▶ настройка режима освещения – 2.7
- [0] ▶ сброс к заводским настройкам – 2.8

Подробную информацию см. в следующих параграфах.

✎ Режим программирования автоматически завершается при отсутствии активности в течение 60 секунд

- После выбора меню можно вернуться в главное меню, нажав клавишу [C]
- Нажмите [C] в течение 5 секунд, чтобы выйти из режима программирования

2.2 НАСТРОЙКА ГЛАВНОГО ПИН-КОДА [9]

- Доступ к режиму программирования (см. 2.1)
 - Нажать [#] в течение 5 секунд, [#] начнет мигать
 - Ввести главный ПИН-код (по умолчанию = 12345) и нажать [#]. Если все правильно, [#] будет гореть до тех пор, пока активирован режим программирования
- Нажмите [9] и подтвердите нажатием [#]
- [9] и [#] оба горят
- Главный ПИН-код по умолчанию — 12345. Это всегда должен быть пятизначный код
- Введите новый 5-значный главный ПИН-код и нажмите [#]
- Повторите предыдущий шаг, чтобы подтвердить новый главный ПИН-код
- Если оба кода верны, все светодиоды кратковременно загорятся и вы вернетесь в главное меню режима программирования

2.3 УПРАВЛЕНИЕ ПИН-КОДАМИ [1]

- Доступ к режиму программирования (см. 2.1)
 - Нажать [#] в течение 5 секунд, [#] начнет мигать
 - Ввести главный ПИН-код (по умолчанию = 12345) и нажать [#]. Если все правильно, [#] будет гореть до тех пор, пока активирован режим программирования

⚠ Можно запрограммировать до 100 различных ПИН-кодов

- Нажмите [1] и подтвердите, нажав [#]
- [1] и [#] оба горят
- Введите новый ПИН-код (4–8 цифр) и подтвердите, нажав [#]
- В случае нового кода его необходимо будет повторить и подтвердить с помощью [#]
- Индикаторы кнопок [5] и/или [7] указывают, на какой стороне замка действителен код. [7] используется для той стороны, которую использует пользователь в данный момент, а [5] — для другой стороны. Модель Vera с клавиатурой на одной стороне показывает только вариант [7]
- Нажатие [5] и/или [7] отменяет выбор (мигает) или выбирает (постоянно горит) соответствующую сторону
- Нажмите [#] для подтверждения
- Вы вернетесь в главное меню режима программирования, [#] будет гореть. Нажмите [C] в течение 5 секунд, чтобы выйти из режима программирования

⚠ При вводе двух разных кодов или неправильной длины кода все клавиши мигают два раза, указывая на то, что настройка кода не была сохранена. Попробуйте еще раз. [1] будет гореть постоянно

✎ Код можно удалить, отменив выбор [5] и/или [7] перед подтверждением

2.4 УПРАВЛЕНИЕ ПОСТОЯННО ОТКРЫТЫМИ КОДАМИ [2]

ПИН-коды, сгенерированные с помощью меню [1] (управление ПИН-кодами), разблокируют замок на заданный период времени, настроенный в меню [3] («настройка продолжительности переключения»). Напротив, «постоянно открытый» код не имеет заранее определенной продолжительности пребывания открытым, но будет оставаться открытым до тех пор, пока не будет введен тот же код (или другой постоянно открытый код).

- Доступ к режиму программирования (см. 2.1)
 - Нажать [#] в течение 5 секунд [#] начнет мигать
 - Введите Главный ПИН-код (по умолчанию = 12345) и нажмите [#]. Если все правильно, [#] будет гореть до тех пор, пока активирован режим программирования
- Нажмите [2] и подтвердите нажатием [#]
- [2] и [#] оба горят
- Введите новый ПИН-код и подтвердите, нажав [#]
- В случае нового кода его необходимо будет повторить и подтвердить с помощью [#]
- Индикаторы кнопок [5] и/или [7] указывают, на какой стороне замка действителен код. [7] используется для той стороны, которую

использует пользователь в данный момент, а [5] — для другой стороны. Модель Vera с клавиатурой на одной стороне показывает только вариант [7]

- Нажатие [5] и/или [7] отменяет выбор (мигает) или выбирает (постоянно горит) соответствующую сторону
- Нажмите [#] для подтверждения
- Вы вернетесь в главное меню режима программирования

⚠ При вводе двух разных кодов или неправильной длины кода все клавиши мигают два раза, указывая на то, что настройка кода не была сохранена. Попробуйте еще раз. [2] будет гореть постоянно

✎ Код можно удалить, отменив выбор [5] и/или [7] перед подтверждением

2.5 ПРОДОЛЖИТЕЛЬНОСТЬ ПЕРЕКЛЮЧЕНИЯ НАСТРОЙКИ [3]

- Доступ к режиму программирования (см. 2.1)
 - Нажать [#] в течение 5 секунд [#] начнет мигать
 - Ввести главный ПИН-код (по умолчанию = 12345) и нажать [#]. Если все правильно, [#] будет гореть до тех пор, пока активирован режим программирования
- Нажмите [3] и подтвердите нажатием [#]
- [3] и [#] оба горят
- Введите значение от 1 до 99 и подтвердите нажатием [#]. Когда все светодиоды мигают, ваш выбор сохранен
- Вы вернетесь в главное меню

⚠ В случае ввода неверного времени все клавиши мигнут два раза. Меню [3] остается активным


✎ Время по умолчанию установлено на 8 секунд

2.6 НАСТРОЙКА РЕЖИМА СВОБОДНОГО ВЫХОДА [4]

Меню режима свободного выхода позволяет настроить сторону замка в «режиме свободного выхода». На стороне свободного выхода ввод ПИН-кода не требуется: нажатие любой клавиши разблокирует замок на заданное время.


- Доступ к режиму программирования (см. 2.1)
 - Нажать [#] в течение 5 секунд [#] начнет мигать
 - Ввести главный ПИН-код (по умолчанию = 12345) и нажать [#]. Если все правильно, [#] будет гореть до тех пор, пока активирован режим программирования

- Нажмите [4] и подтвердите нажатием [#]
- [4] и [#] оба горят
- Индикаторы кнопок [5] и/или [7] указывают, какая сторона замка настроена в режиме свободного выхода. [7] используется для той стороны, которую использует пользователь в данный момент, а [5] — для другой стороны. Модель Vega с клавиатурой на одной стороне показывает только вариант [7]
- Нажатие [5] и/или [7] отменяет выбор (мигает) или выбирает (постоянно горит) соответствующую сторону должно быть настроено в режиме свободного выхода
- Выбор подтверждается нажатием клавиши [#]
- Вы вернетесь в главное меню режима программирования

 Режим свободного выхода можно отключить, отменив выбор [5] и [7] перед подтверждением

2.7 НАСТРОЙКА РЕЖИМА ОСВЕЩЕНИЯ [5]

- Доступ к режиму программирования (см. 2.1)
 - Нажать [#] в течение 5 секунд, [#] начнет мигать
 - Ввести главный ПИН-код (по умолчанию = 12345) и нажать [#]. Если все правильно, [#] будет гореть до тех пор, пока активирован режим программирования
- Нажмите [5] и подтвердите [#]
- [5] и [#] оба горят
- Выберите желаемый режим освещения:
 - 1 Автоматическое затемнение (по умолчанию): При нормальной работе подсветка выключена. При нажатии кнопки они становятся на полную яркость. После 5 секунд бездействия освещение выключается
 - 2 Подсветка отключена: Подсветка не загорается при нажатии кнопки
- Нажмите [1] или [2] и подтвердите нажатием [#]. Когда все светодиоды мигают, ваш выбор сохранен
- Вы вернетесь в главное меню

 В случае ввода неверного номера все клавиши мигнут два раза. Попробуйте еще раз. Меню [5] остается активным

2.8 СБРОС НА ЗАВОДСКИЕ НАСТРОЙКИ [0]

- Доступ к режиму программирования (см. 2.1)
 - Нажать [#] в течение 5 секунд, [#] начнет мигать

- Ввести главный ПИН-код (по умолчанию = 12345) и нажать [#]. Если все правильно, [#] будет гореть до тех пор, пока активирован режим программирования
- Нажмите [0] и подтвердите нажатием [#]
- [0] будет быстро мигать, указывая на то, что можно предпринять необратимые действия
- Введите главный ПИН-код и подтвердите его, удерживая [#] в течение 2 секунд
- Когда все светодиоды мигают, сброс к заводским настройкам завершен. Все настройки восстанавливаются до значений по умолчанию

3. СБРОС ГЛАВНОГО-ПИН-КОДА ПРИ ПОТЕРЕ ГЛАВНОГО ПИН-КОДА

В течение первых 5 минут после (замены) батарей можно использовать главный ПИН-код по умолчанию (12345) вместе с главным ПИН-кодом, выбранным пользователем. Создайте новый главный ПИН-код, выполнив действия, описанные в 2.2. Сброс к заводским настройкам, как описано в шаге 2.8, навсегда вернет главный ПИН-код к значению по умолчанию 12345.


4. ФУНКЦИОНИРОВАНИЕ VERA

4.1 ВВЕДИТЕ ПРАВИЛЬНЫЙ ПИН-КОД

- Введите ПИН-код (мин. 4–макс. 8 цифр)
- Нажмите [#] для подтверждения
- Последовательность световых сигналов пробегает снизу вверх по клавиатуре, указывая на то, что введен правильный код

4.2 ВВЕДИТЕ НЕПРАВИЛЬНЫЙ КОД

- Введите неверный ПИН-код
- Нажмите [#] для подтверждения
- Все клавиши мигают два раза, указывая на то, что введен неправильный код
- Из соображений безопасности, если подряд будет введено 5 и более неправильных кодов, вы не сможете использовать Vega в течение определенного периода. Период тайм-аута указывается следующим образом: 2[количество неудачных попыток] секунд(ы)
Например: 6 неудачных попыток приводят к тайм-ауту 64 секунды (2⁶ секунды)

 Период тайм-аута сбрасывается при вводе правильного кода или если в течение 2 часов не вводился новый код

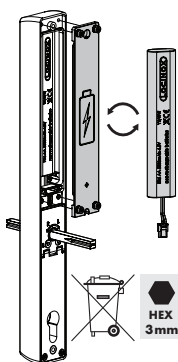
4.3 ПРЕДУПРЕЖДЕНИЕ О РАЗРЯДЕ БАТАРЕИ

Когда батарейки начнут разряжаться, индикатор низкого заряда батарей на клавиатуре начнет мигать при вводе кода, указывая на то, что пришло время заменить батарейки.

4.4 ЗАМЕНА БАТАРЕИ

- Удалить Vera из ворот
- Откройте крышку аккумулятора
- Замените аккумуляторную батарею
- Закройте крышку аккумулятора
- Установите модуль Vera обратно на ворота

RU



⚠ Закажите батарейный блок здесь:



Locinox HQ
Mannebeekstraat 21
8790 Waregem- Belgium

Locinox USA LLC
460-464 Windy Point Drive
Glendale Heights, IL 60319 - USA

Бренд	Locinox	
Продукт	Vera	
Модель	VERA-40-VSZ-2-9005	
Рейтинг	U = 4.5 В постоянного тока	I = 5mA



Правила Федеральной торговой комиссии ограничивают отправку нежелательных коммерческих электронных сообщений на компьютеры.



Используемое устройство можно вернуть дилеру или отправить обратно в Locinox. Стоимость утилизации этого продукта составляет € 0,2.



Маркировка WEEE на продукте указывает, что его нельзя выбрасывать вместе с обычными бытовыми отходами и его необходимо сдать на утилизацию на специальный пункт сбора для переработки электронных и электрических устройств.



Как производитель этого продукта, мы гарантируем, что мы предприняли все необходимые шаги для соблюдения текущих требований безопасности для этого продукта.

5. ОБСЛУЖИВАНИЕ

- Очищайте корпус и дисплей мягкой тканью, смоченной нейтральным чистящим средством
- Никогда не используйте для очистки устройства топливо или химикаты, поскольку они могут повредить корпус

6. ОБЩАЯ ИНФОРМАЦИЯ

- Пожалуйста, соблюдайте местные правила хранения упаковочного материала и приборов, которые больше не используются. Наш упаковочный материал экологически чистый. Его можно разделить на 2 материала: картон (коробка) и расширяемый полиэстер (буфер)
- Ваше устройство изготовлено из перерабатываемых материалов

7. ГАРАНТИЯ

Гарантия 2 года распространяется на всю электронику.

LOCINOX[®]

Let's make it better together

Doc. Nr.: P00019582

Locinox NV • Brabantstraat 107
8790 Waregem • Belgium - Europe
Tel. +32 (0)56 77 27 66
E-mail: info@locinox.com

Locinox CEE • Irysova 9
55-040 Bielany Wrocławskie • Poland - Europe
Tel. +48 717 58 21 09
E-mail: info@locinox.com

Locinox USA LLC • 460 Windy Point Drive
Glendale Heights • IL60139
Tel. 877-LOCINOX
E-mail: salesusa@locinox.com



P00019582